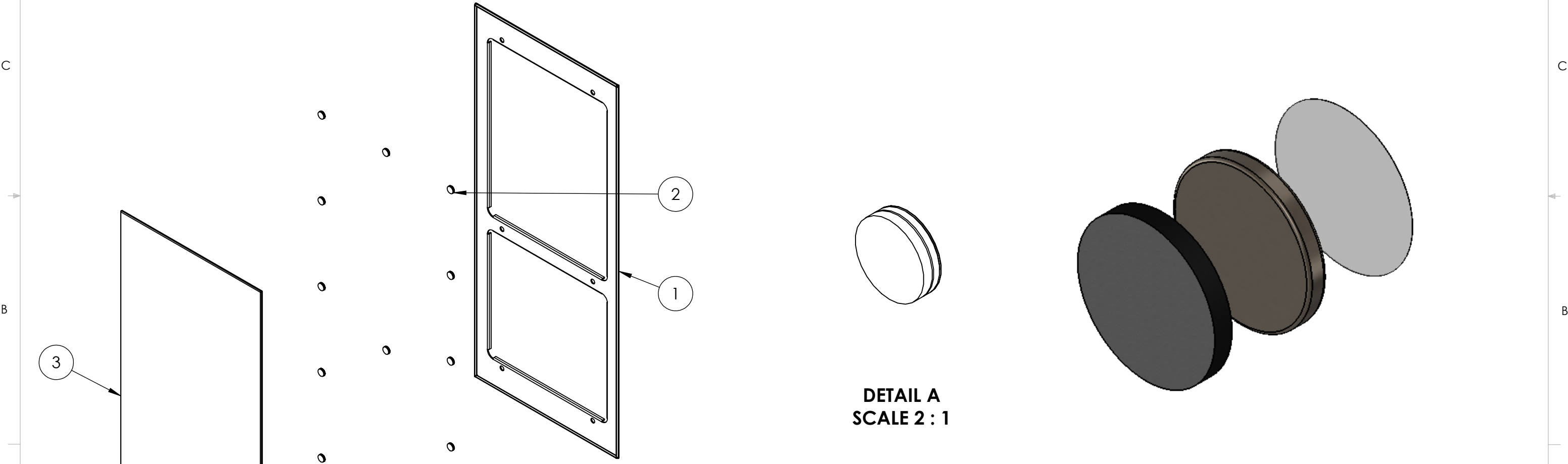


8 7 6 5 4 3 2 1

ITEM NO.	PHCPartNo.	PHC Revision No.	DESCRIPTION	Without Grille/QTY.
1	ME100130	A	LFC-210im Grille Frame	1
2			0.5 x 0.06 Neo Disc w 0.06 Rubber Bumper	13
			Neodymium Disc 0.50x.06 inch KJ Magnetics #D81-N52	1
			0.5 x .06 Rubber Bumper 8213K1	1
			Glue Disc 0.50 Super High Tacking 7187A23	1
3	ME100131	A	LFC-210im Grille	1

LFC-210im Grille Assembly



		UNLESS OTHERWISE SPECIFIED:		NAME	DATE	PROFESSIONAL HOME CINEMA, LLC	
		DIMENSIONS ARE IN INCHES		DRAWN		TITLE:	
		TOLERANCES:		CHECKED		LFC-210im Grille Assembly	
		FRACTIONAL		ENG APPR.		SIZE	PART NO.
		ANGULAR: MACH BEND		MFG APPR.		B	REV
		TWO PLACE DECIMAL 0.01		Q.A.		SCALE: 1:12 WEIGHT:	
		THREE PLACE DECIMAL 0.01				SHEET 1 OF 1	
		INTERPRET GEOMETRIC TOLERANCING PER:					
		MATERIAL					
NEXT ASSY	USED ON	FINISH					
APPLICATION		DO NOT SCALE DRAWING					

PROPRIETARY AND CONFIDENTIAL
 THE INFORMATION CONTAINED IN THIS DRAWING IS THE SOLE PROPERTY OF PROFESSIONAL HOME CINEMA, LLC. ANY REPRODUCTION IN PART OR AS A WHOLE WITHOUT THE WRITTEN PERMISSION OF PROFESSIONAL HOME CINEMA, LLC IS PROHIBITED. THE HOLDER OF THIS DOCUMENT SHALL KEEP ALL INFORMATION CONTAINED HEREIN CONFIDENTIAL AND SHALL PROTECT THE SAME IN WHOLE OR IN PART FROM DISCLOSURE AND DISSEMINATION TO ALL THIRD PARTIES.

8 7 6 5 4 3 2 1