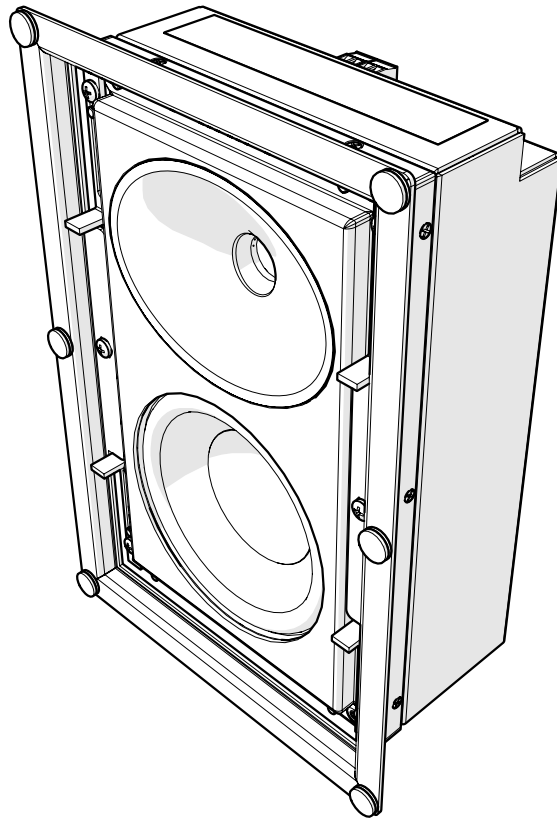


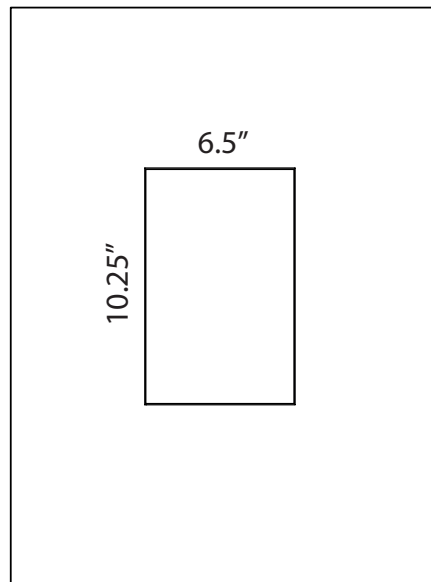
iw Installation Guide



SCRS-5iw

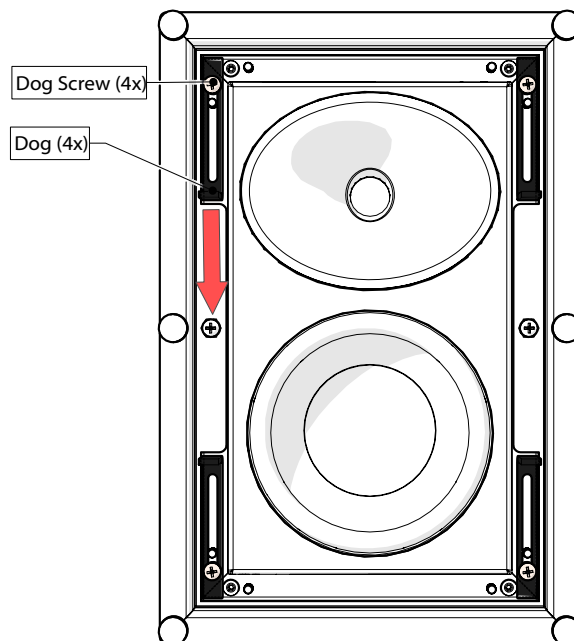
STEP 1 - CUT HOLE

- 1a. Cut hole in wall material to the dimensions shown.



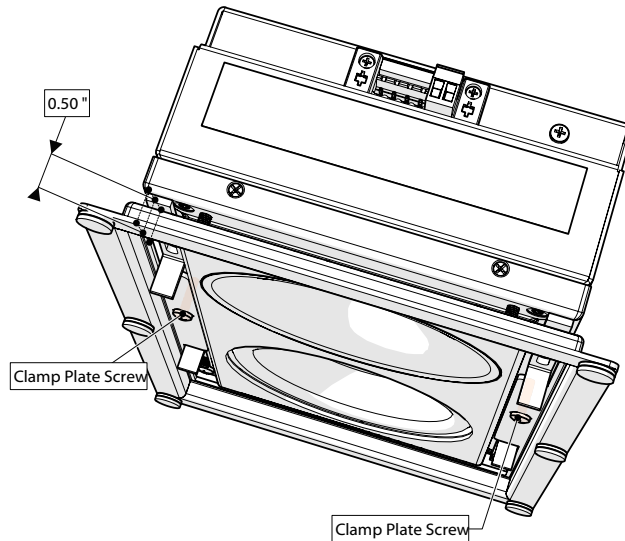
STEP 2 - RETRACT ALL CLAMP DOGS

- 3a. Loosen the dog screws and retract all four dogs fully as shown below.
3b. Re-tighten the screws to hold them in this position.



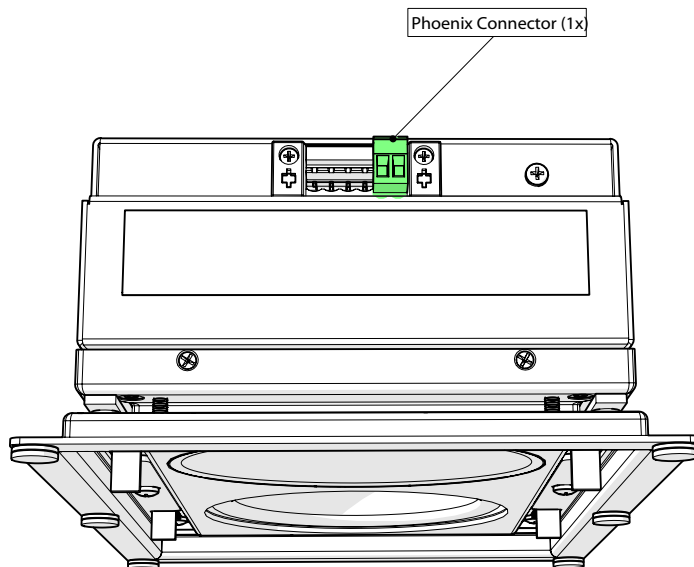
STEP 3 - LOOSEN CLAMP PLATE

- 3a. Loosen clamp plate screws so that the distance between the front surface of the dogs and the back surface of the clamp plate flange is slightly **greater** than the thickness of wall material.



STEP 4 - CONNECT WIRES

- 4a. Using one of the supplied two-pin male Phoenix connectors, connect the speaker wire to the connector then install the connector into the speaker as shown below. Note, when connector is installed as shown in this view, the conductor on the left is negative terminal and the conductor on the right is the positive terminal.

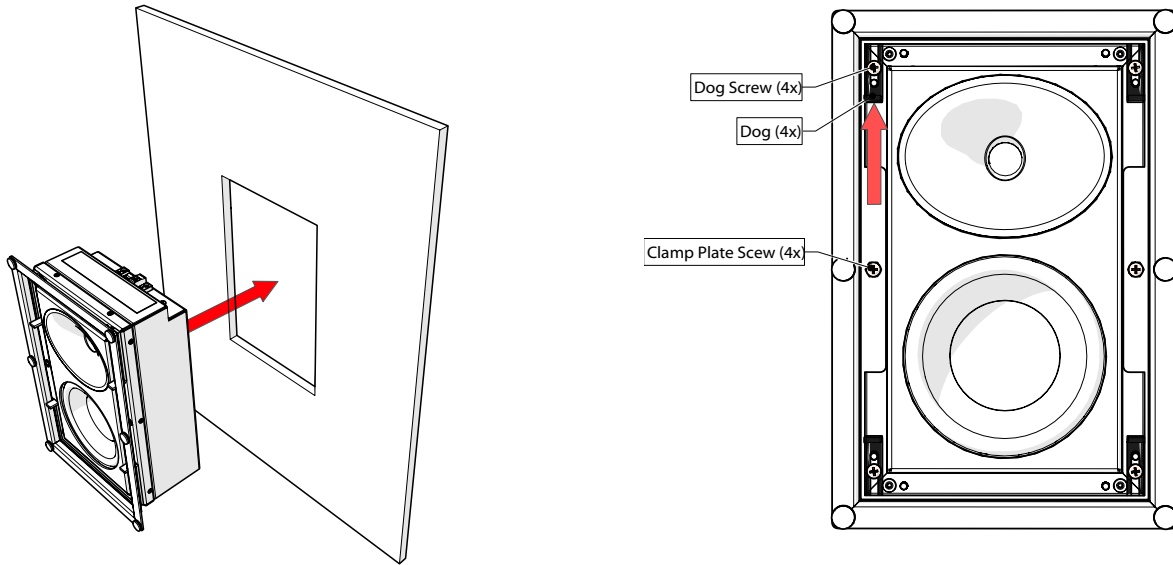


Note: The SCRS-5iw is shipped from the factory wired for passive operation. These instructions are for hookup in that mode. If you intend to run your SCRS-5iw in bi-amp mode, please call the factory for assistance as it will be necessary to change the internal wiring of the speaker.

CAUTION: DO NOT CONNECT NEGATIVE AND POSITIVE WIRES TOGETHER. AMPLIFIER DAMAGE WILL RESULT.

STEP 5 - INSTALL SPEAKER

- 5a. Insert speaker fully into wall opening, making sure to dress the wire so that it does not get trapped behind the speaker enclosure.
- 5b. While holding the speaker in place, loosen the dog screws and extend dogs fully, then re-tighten the screws to hold them in place.
- 5c. Clamp the speaker to the wall material by tightening the (2) clamp plate screws.



STEP 6 - INSTALL GRILLE

- 6a. Position perforated metal grille over clamp plate frame. Powerful neodymium magnets will snap it into and hold it in place.

