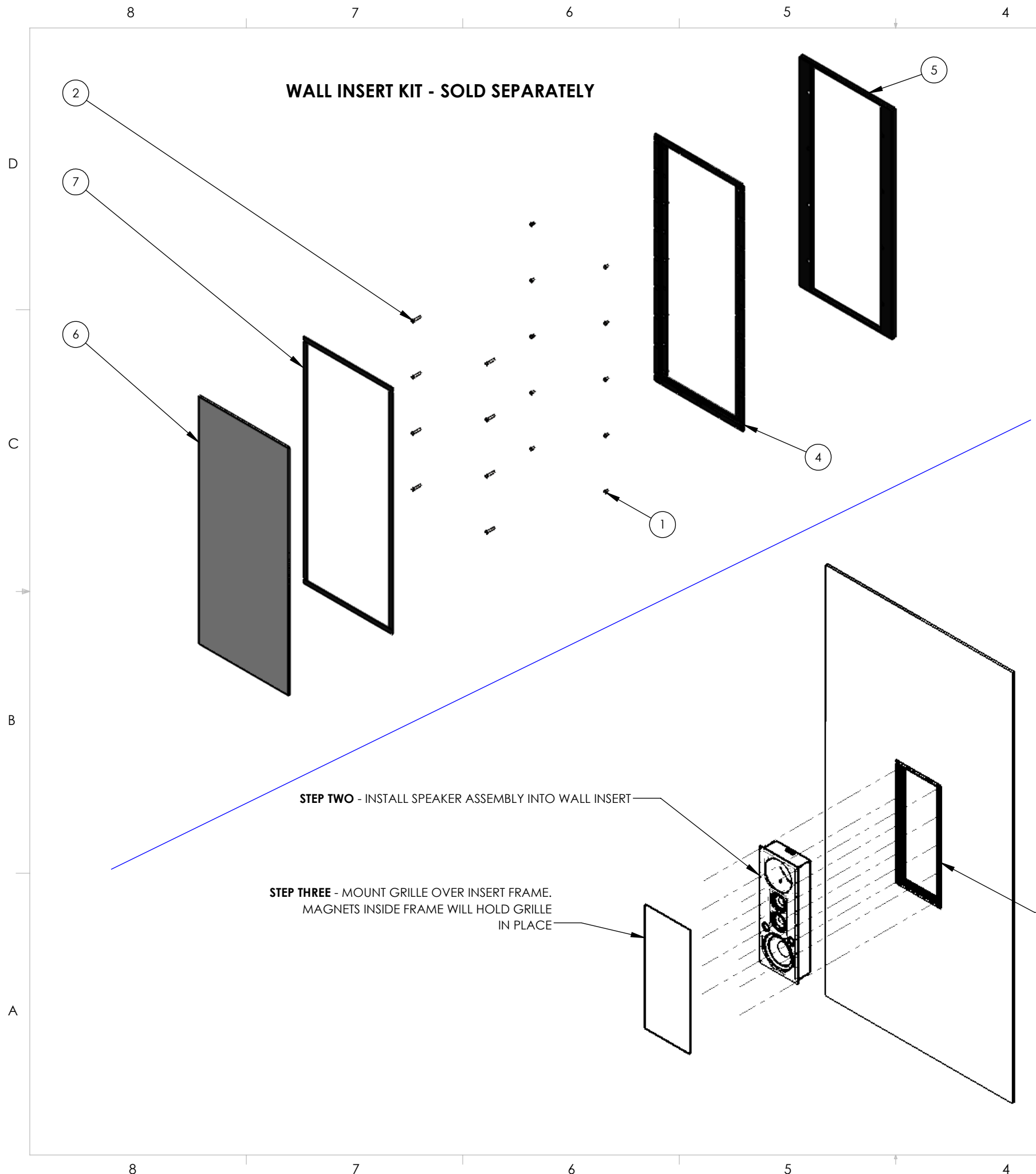


PROPRIETARY AND CONFIDENTIAL
 THE INFORMATION CONTAINED IN THIS DRAWING IS THE SOLE PROPERTY OF PROFESSIONAL HOME CINEMA, LLC. ANY REPRODUCTION IN PART OR AS A WHOLE WITHOUT THE WRITTEN PERMISSION OF PROFESSIONAL HOME CINEMA, LLC IS PROHIBITED. THE HOLDER OF THIS DOCUMENT SHALL KEEP ALL INFORMATION CONTAINED HEREIN CONFIDENTIAL AND SHALL PROTECT THE SAME IN WHOLE OR IN PART FROM DISCLOSURE AND DISSEMINATION TO ALL THIRD PARTIES.

UNLESS OTHERWISE SPECIFIED:		NAME	DATE	PRO AUDIO TECHNOLOGY	
DIMENSIONS ARE IN INCHES TOLERANCES: FRACTIONAL ± ANGULAR: MACH ± BEND ± TWO PLACE DECIMAL ±0.01 THREE PLACE DECIMAL ±0.01		DRAWN			
INTERPRET GEOMETRIC TOLERANCING PER:		CHECKED		SIZE	PART NO.
MATERIAL		ENG APPR.		B	
FINISH		MFG APPR.		SCALE: 1:6	WEIGHT:
NEXT ASSY	USED ON	Q.A.			REV
APPLICATION	DO NOT SCALE DRAWING				SHEET 1 OF 3



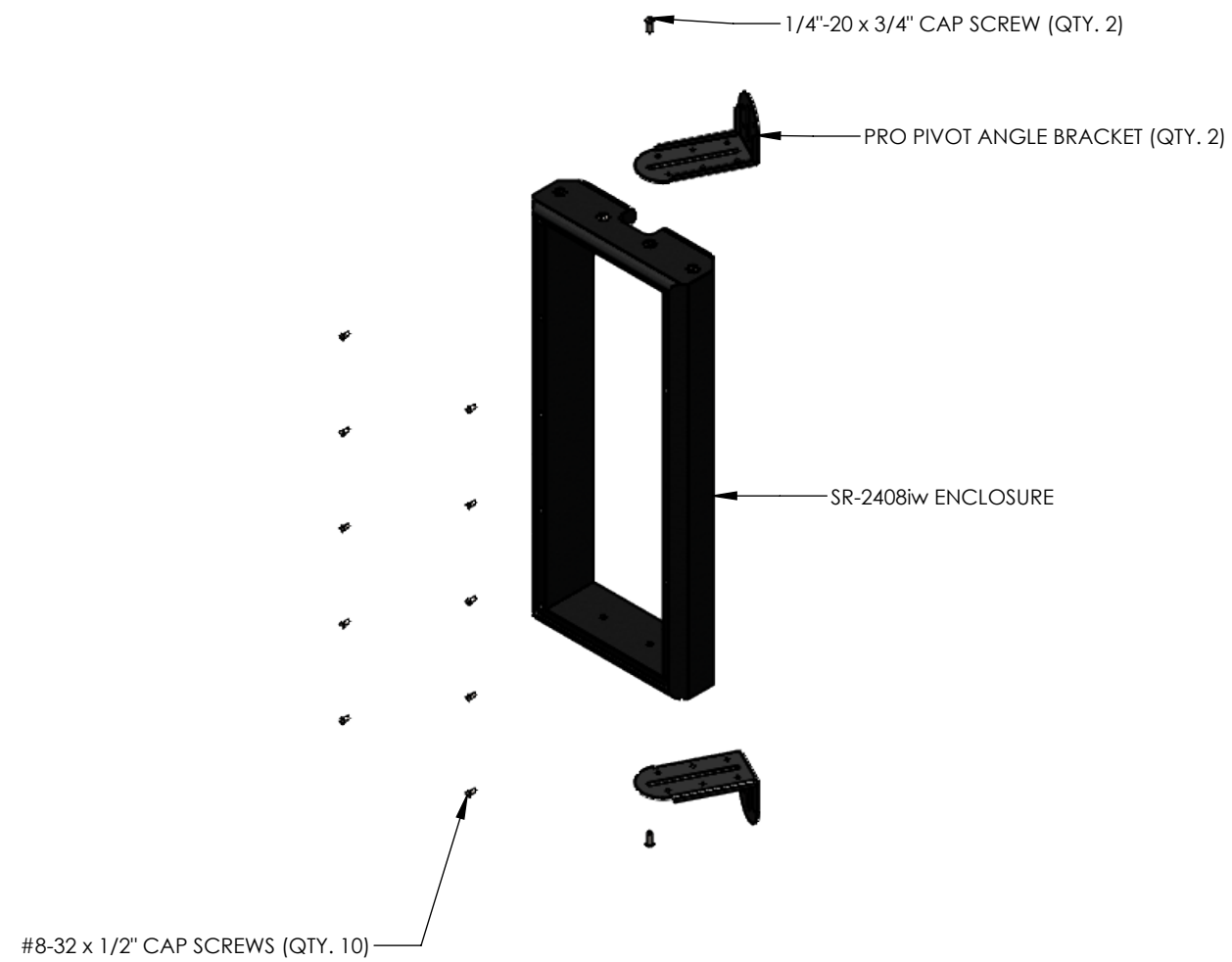
ITEM NO.	DESCRIPTION	QTY.
1	#8-32 x 3/8" CAP SCREWS	10
2	#8-32 x 1" CAP SCREWS	8
4	SR-2408iw WALL INSERT	1
5	SR-2408iw INSERT CLAMP	1
6	SR-2408iw GRILLE	1
7	FOAM RUBBER TAPE 0.50" WIDE X 0.06" THICK	1

INSTALLATION INSTRUCTIONS

1. CREATE CUTOUT IN DRYWALL, CENTERED IN OPEN STUD BAY, 10.4" W x 26.4"H.
2. INSERT WALL INSERT (ITEM 4) INTO CUTOUT AND TEMPORARILY TAPE IN PLACE USING BLUE TAPE OR SIMILAR NON-MARKING, NO RESIDUE ADHESIVE TAPE.
3. INSERT CLAMP INTO HOLE AND HOLD IN PLACE AGAINST THE BACKSIDE OF THE DRYWALL.
4. ALIGN INSERT NUTS IN CLAMP WITH THRU HOLES IN FRAME AND INSTALL 8x #8-32 x 1" CAP SCREWS (ITEM 2).
5. TIGHTEN ALL SCREWS TO CLAMP THE INSERT TO THE DRYWALL SECURELY.
6. REMOVE BLUE TAPE.
7. INSTALL SPEAKER ASSEMBLY (SOLD SEPARATELY) INTO INSERT OPENING USING 10x #8-32 x 3/8" CAP SCREWS (ITEM 1)
8. IF NOT USING PERFORATED GRILLE, INSTALLATION IS COMPLETE.
9. IF USING PERFORATED METAL GRILLE, APPLY 1/2" X 1/16" FOAM RUBBER TAPE (ITEM 7) ONTO THE INSERT FRAME FASCIA AROUND THE ENTIRE PERIMETER OF THE INSERT FRAME. THIS WILL PROVIDE A COMPLIANT SURFACE AGAINST WHICH THE METAL GRILLE WILL REST. THE FOAM CAN EASILY AND NEATLY BE TRIMMED USING A RAZOR BLADE OR RAZOR KNIFE. ** DO NOT INSTALL THE GRILLE WITHOUT FIRST INSTALLING THE FOAM TAPE, OTHERWISE RATTLES WILL OCCUR. **
10. ONCE TAPE IS INSTALLED, INSTALL THE GRILLE OVER THE FRAME MAKING SURE IT'S ALIGNED PRECISELY AND CAPPING OVER THE FRAME AND FOAM TAPE UNIFORMLY AROUND THE ENTIRE PERIMETER OF THE FRAME.
11. DONE!

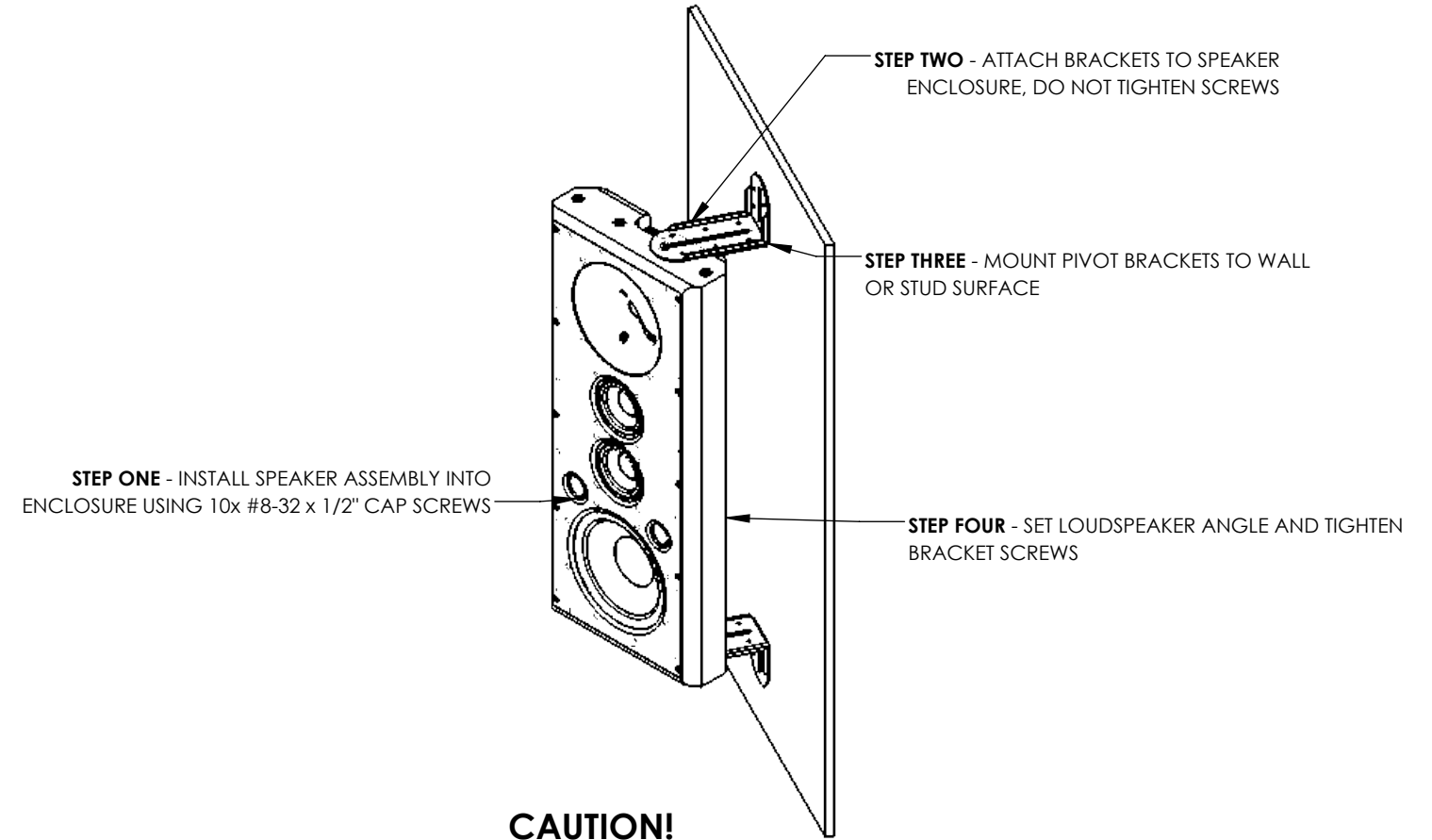
TITLE	SR-2408iw WALL INSERT AND GRILLE ASSEMBLY	SIZE	B	PART NO.		REV	
PRO AUDIO TECHNOLOGY		SCALE:	1:10	WEIGHT:		SHEET 2 OF 3	

SURFACE MOUNT ENCLOSURE KIT - SOLD SEPARATELY



INSTALLATION INSTRUCTIONS

1. INSTALL SPEAKER ASSEMBLY (SOLD SEPARATELY) INTO SPEAKER ENCLOSURE USING 10x #8-32 x 1/2" SCREWS MAKING SURE TO ALIGN THE SPEAKER INPUT TERMINALS WITH THE CUTOUT IN THE ENCLOSURE.
2. ATTACH PRO PIVOT ANGLE BRACKETS TO SPEAKER ENCLOSURE USING SUPPLIED 1/4"-20 x 3/4" SCREWS. DO NOT TIGHTEN YET. ANY OF THE FOUR CONNECTION POINTS ON THE TOP AND BOTTOM SURFACES MAY BE USED.
3. WITH AT LEAST ONE OTHER PERSON, HOLD THE SPEAKER IN PLACE, POSITION THE BRACKETS AGAINST THE MOUNTING SURFACE AND SECURE THE BRACKETS TO THE MOUNTING SURFACE USING APPROPRIATE LAG BOLTS.
4. AIM THE SPEAKER AS DESIRED AND TIGHTEN THE 1/4"-20 BRACKET SCREWS TO SECURE THE SPEAKER.



CAUTION!

IF INSTALLING OVER HEAD, PROPER SAFETY LANYARD REQUIRED (NOT SUPPLIED)

TITLE	SR-2408iw ENCLOSURE ASSEMBLY	SIZE	B	PART NO.		REV	
PRO AUDIO TECHNOLOGY		SCALE: 1:10	WEIGHT:	SHEET 3 OF 3			