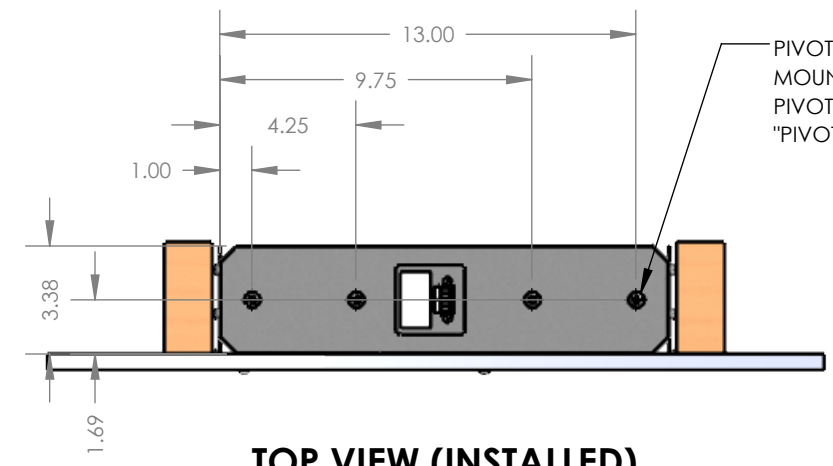
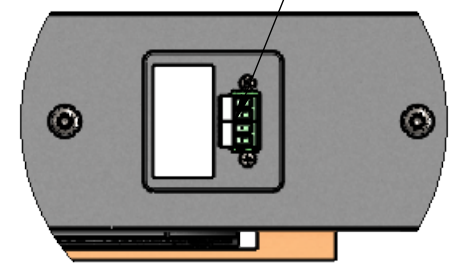


8 7 6 5 4 3 2 1

D

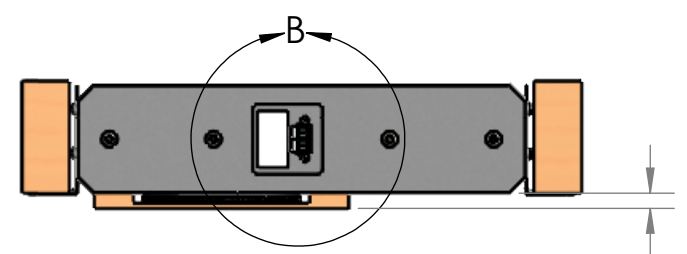


TOP VIEW (INSTALLED)

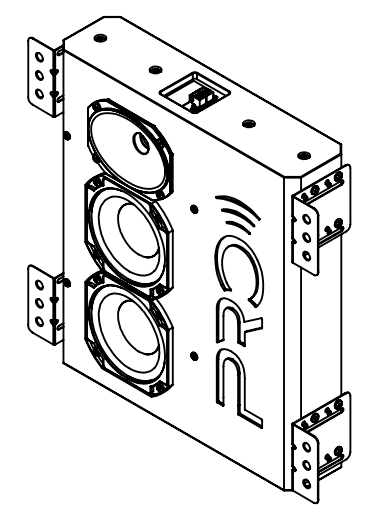


DETAIL B  
SCALE 1 : 3

PHOENIX PLUGS ACCEPT 12GA. WIRE  
TWO PROVIDED FOR BI-AMP VERSION ("SR-25im") - 4 CONDUCTORS REQ'D  
ONE PROVIDED FOR PASSIVE VERSION ("SR-25im-P") - 2 CONDUCTORS REQ'D

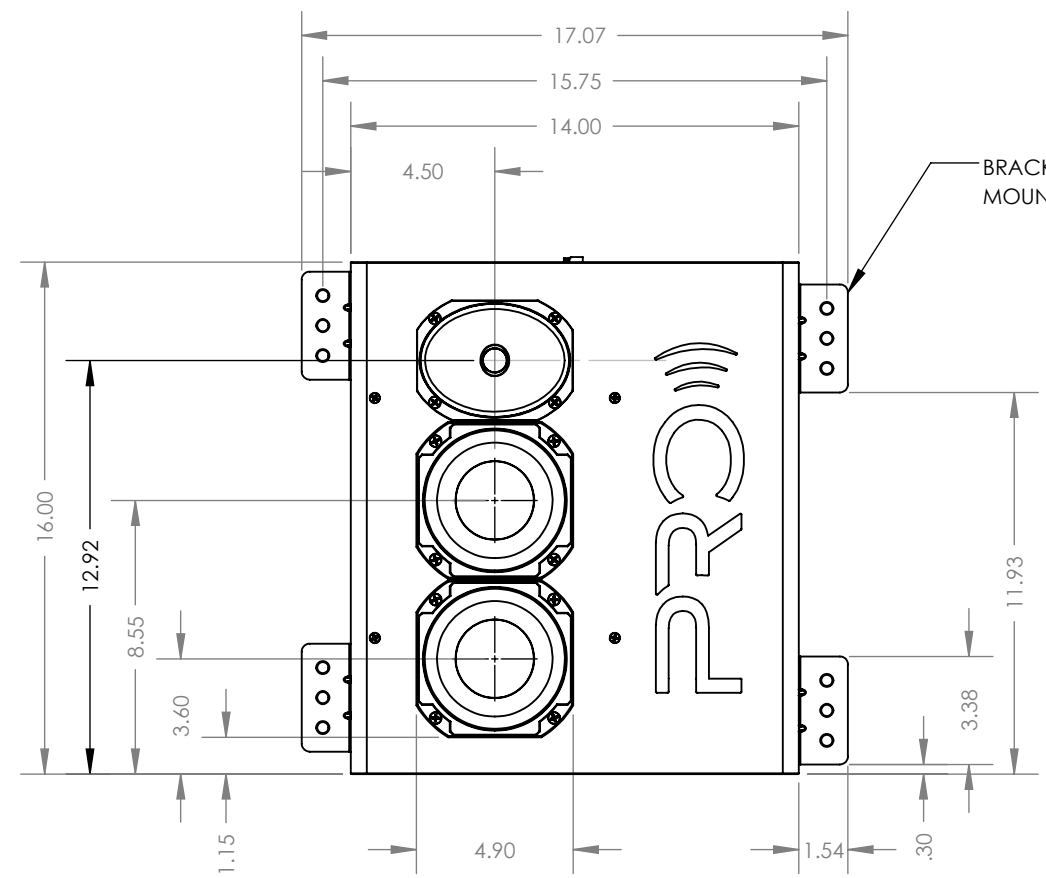


TOP VIEW  
WITH DRYWALL GUIDE



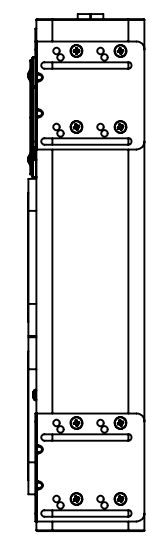
ISO VIEW

C

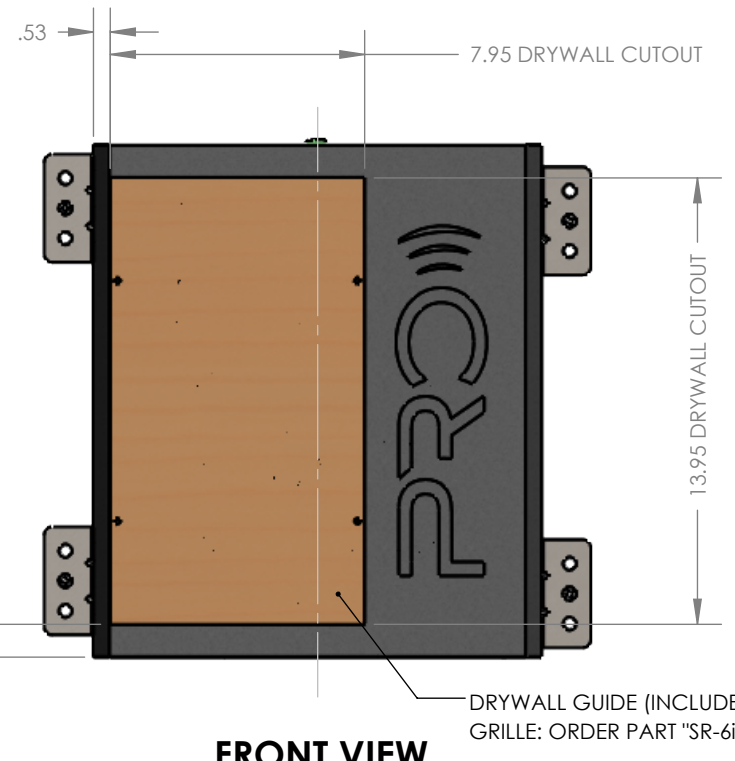


FRONT VIEW

BRACKETS FOR FLUSH IN-WALL  
MOUNTING (INCLUDED)



SIDE VIEW



FRONT VIEW  
WITH DRYWALL GUIDE

DRYWALL GUIDE (INCLUDED) FOR SURFACE GRILLE (NOT INCLUDED)  
GRILLE: ORDER PART "SR-6im/25im-GRILLE-KIT"

NOTES

1. DRYWALL GUIDE PROTECTS DRIVERS DURING CONSTRUCTION AND PROVIDES TEMPLATE FOR DRYWALL CUTOUT
2. ORDER SR-6im/25im PERFORATED SURFACE MOUNT GRILLE, PART NUMBER "SR-6im/25im-GRILLE-KIT"

PROPRIETARY AND CONFIDENTIAL

THE INFORMATION CONTAINED IN THIS DRAWING IS THE SOLE PROPERTY OF PROFESSIONAL HOME CINEMA, LLC. ANY REPRODUCTION IN PART OR AS A WHOLE WITHOUT THE WRITTEN PERMISSION OF PROFESSIONAL HOME CINEMA, LLC IS PROHIBITED. THE HOLDER OF THIS DOCUMENT SHALL KEEP ALL INFORMATION CONTAINED HEREIN CONFIDENTIAL AND SHALL PROTECT THE SAME IN WHOLE OR IN PART FROM DISCLOSURE AND DISSEMINATION TO ALL THIRD PARTIES.

UNLESS OTHERWISE SPECIFIED:

DIMENSIONS ARE IN INCHES  
TOLERANCES:  
FRACTIONAL ±  
ANGULAR: MACH ± BEND ±  
TWO PLACE DECIMAL ±0.01  
THREE PLACE DECIMAL ±0.01

INTERPRET GEOMETRIC TOLERANCING PER:

MATERIAL

FINISH

DO NOT SCALE DRAWING

NAME

DATE

DRAWN

CHECKED

ENG APPR.

MFG APPR.

Q.A.



PROFESSIONAL HOME CINEMA, LLC

TITLE:

SR-25im

SIZE

PART NO.

REV

B

SCALE: 1:6

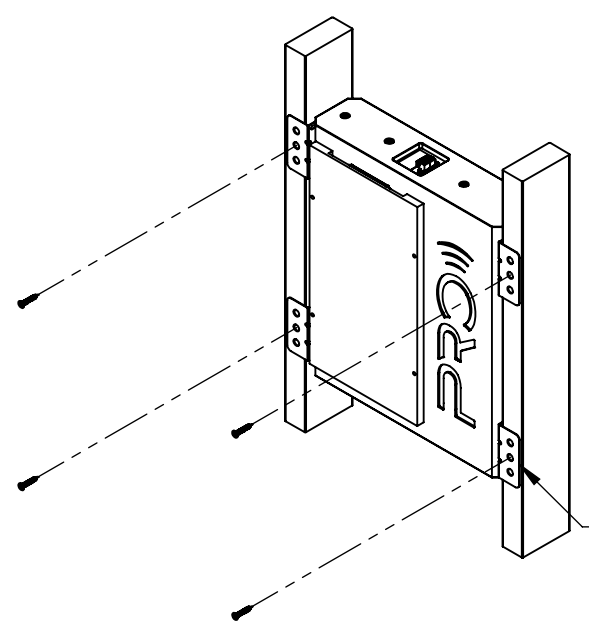
WEIGHT:

SHEET 1 OF 2

8 7 6 5 4 3 2 1

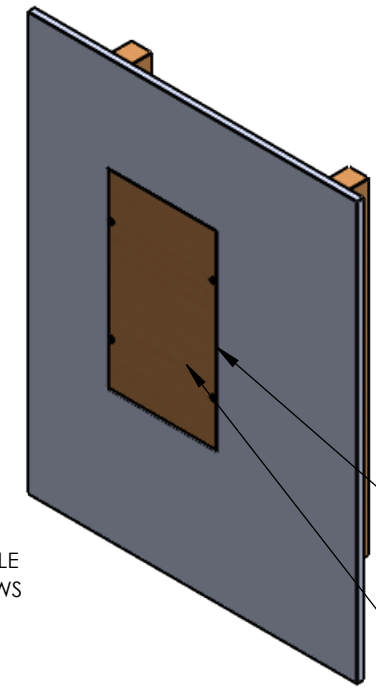
A

A



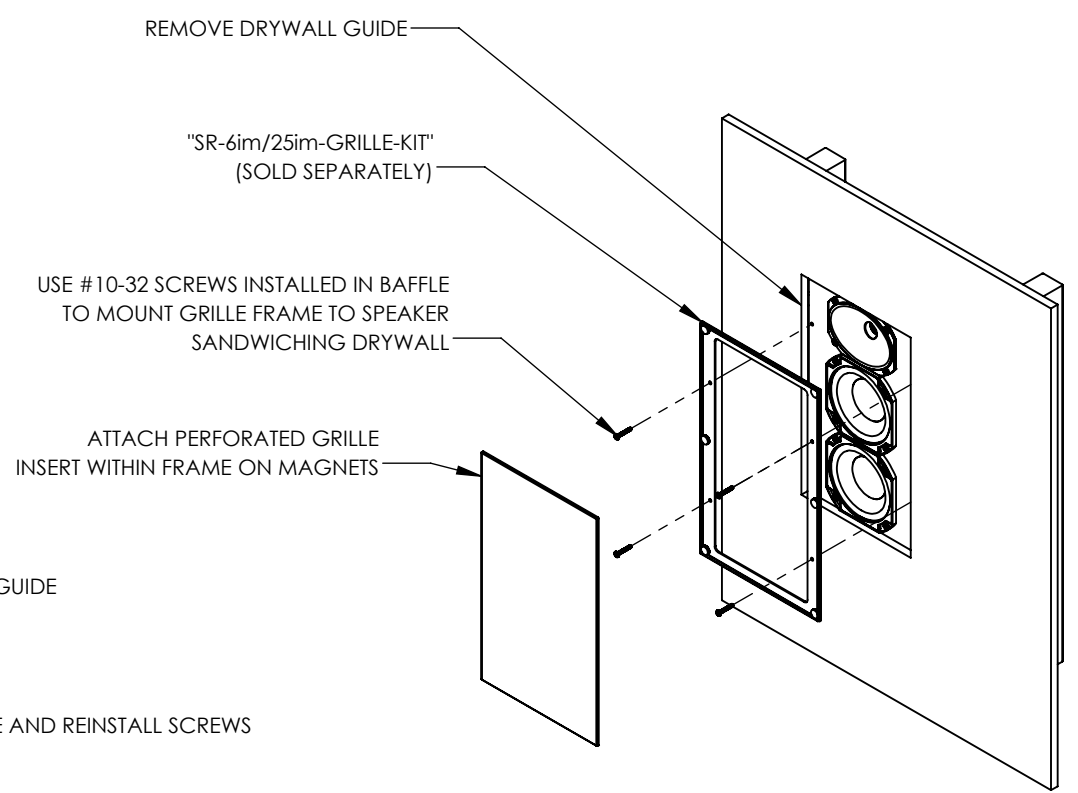
WHEN USING OPTIONAL PIVOT BRACKETS, REMOVE RIGHT-ANGLE BRACKETS AND REINSTALL SCREWS IN CABINET

**SPEAKER INSTALLATION  
FLUSH MOUNT**



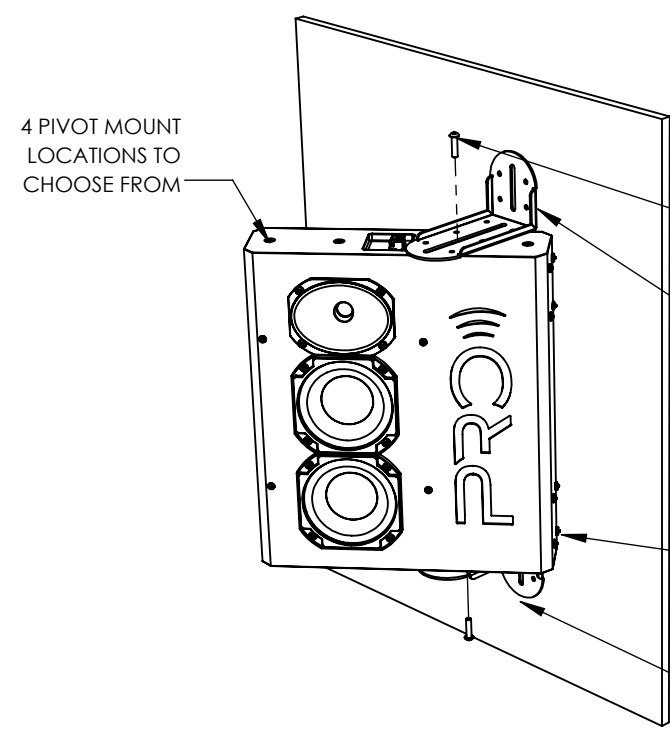
CUT DRYWALL TO DRYWALL GUIDE  
REMOVE DRYWALL TEMPLATE AND REINSTALL SCREWS IN CABINET BEFORE USE

**DRYWALL INSTALLATION**



REMOVE DRYWALL GUIDE  
"SR-6im/25im-GRILLE-KIT" (SOLD SEPARATELY)  
USE #10-32 SCREWS INSTALLED IN BAFFLE TO MOUNT GRILLE FRAME TO SPEAKER SANDWICHING DRYWALL  
ATTACH PERFORATED GRILLE INSERT WITHIN FRAME ON MAGNETS

**(OPTIONAL) GRILLE INSTALLATION**



4 PIVOT MOUNT LOCATIONS TO CHOOSE FROM

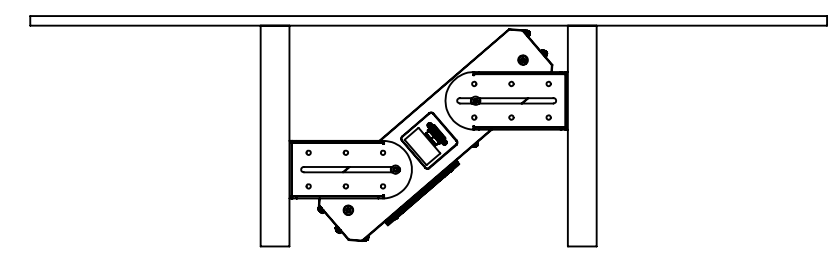
USE 1/4"-20 SCREWS INSTALLED IN CABINET TO MOUNT SPEAKER TO PIVOT BRACKET (TOP AND BOTTOM) SET DESIRED SPEAKER ANGLE AND TIGHTEN SCREWS.

TOP PIVOT BRACKET

REMOVE RIGH-ANGLE BRACKETS AND REINSTALL SCREWS INTO CABINET.

BOTTOM PIVOT BRACKET

**SPEAKER INSTALLATION  
(OPTIONAL) PIVOT BRACKET SURFACE MOUNT  
ONE "PIVOT-BRACKET-KIT" REQUIRED PER SPEAKER**



**SPEAKER INSTALLATION (TOP VIEW)  
(OPTIONAL) PIVOT BRACKET STUD MOUNT  
TWO "PIVOT-BRACKET-KIT" REQUIRED PER SPEAKER**

TITLE:	SR-25im	SIZE	B	PART NO.		REV	
PROFESSIONAL HOME CINEMA, LLC		SCALE: 1:10	WEIGHT:			SHEET 2 OF 2	