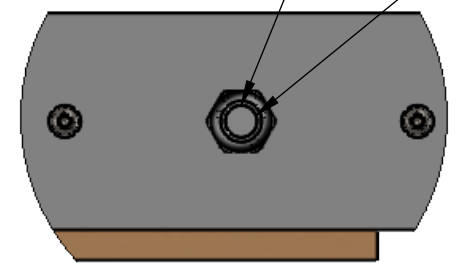


TOP VIEW (INSTALLED)



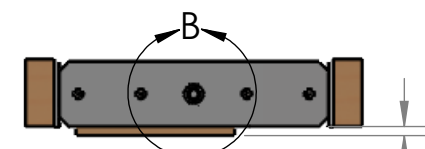
DETAIL B: WIRE ENTRY/WIRING

WIRE NUT CABLE ENTRY ELECTRICAL CONNECTIONS ARE MADE INSIDE THE CABINET

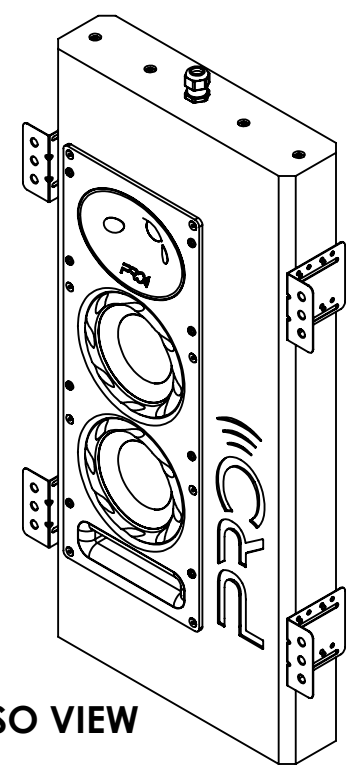
ROUTE ROUND CROSS-SECTION 4-CONDUCTOR SPEAKER WIRE THRU WIRE NUT. TIGHTEN NUT TO CREATE SEAL.

USING SUPPLIED BULLET CONNECTORS, CONNECT LF WIRES TO WOOFERS, HF WIRES TO TWEETER.

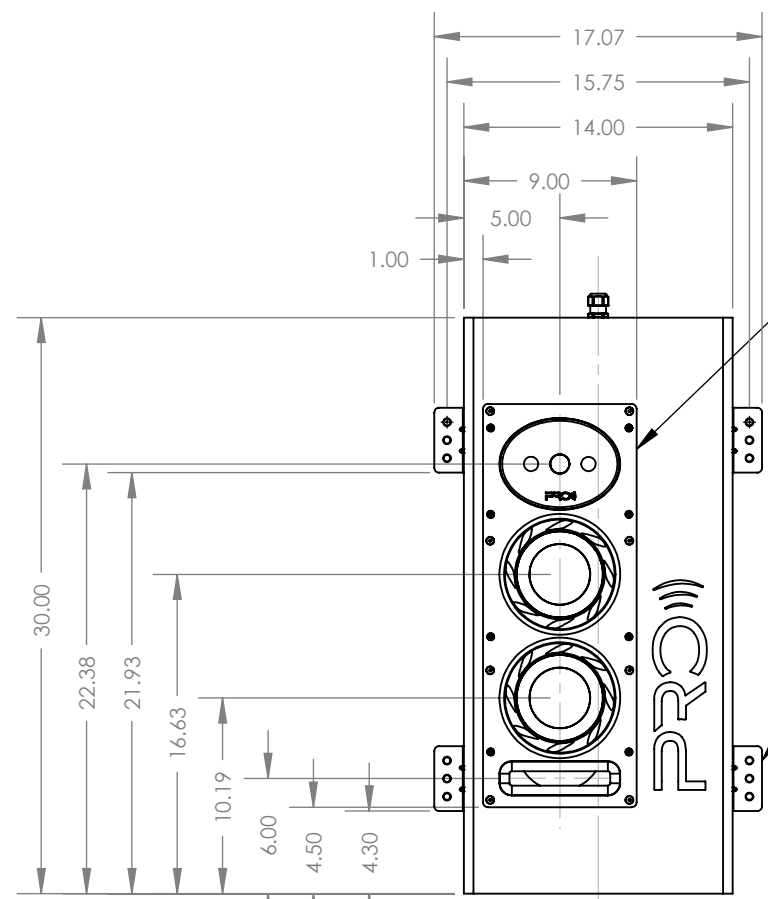
**TYPICAL WIRING SCHEME:
BLACK - LF NEGATIVE
RED - LF POSITIVE
GREEN - HF NEGATIVE
WHITE - HF POSITIVE**



TOP VIEW WITH DRYWALL GUIDE



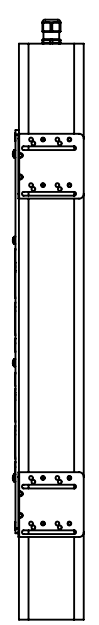
ISO VIEW



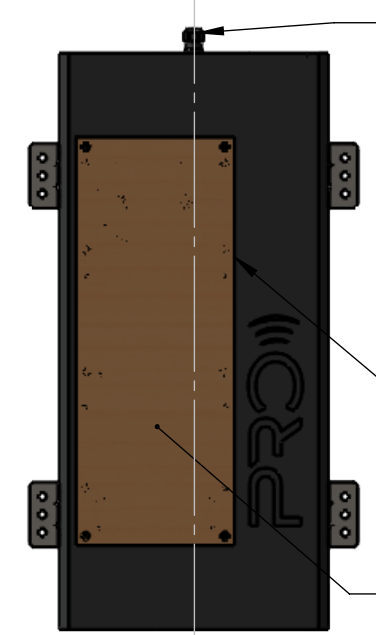
FRONT VIEW

SPEAKER BAFFLE CAN BE INVERTED WHEN USING OPTIONAL PIVOT BRACKET "PIVOT-BRACKET-KIT" FOR SIDE-TO-SIDE SYMMETRY

BRACKETS FOR FLUSH IN-WALL MOUNTING (INCLUDED)



SIDE VIEW



FRONT VIEW WITH DRYWALL GUIDE

WIRE NUT ALLOWS ELECTRICAL CONNECTIONS TO BE MADE INSIDE SPEAKER WHERE THEY ARE SERVICABLE EVEN WHEN SPEAKER IS INSTALLED IN WALL

DRYWALL GUIDE PROTECTS SPEAKER DURING CONSTRUCTION

DRYWALL GUIDE (INCLUDED) FOR SURFACE GRILLE (NOT INCLUDED)
GRILLE: ORDER PART "SR-26im-GRILLE-KIT"

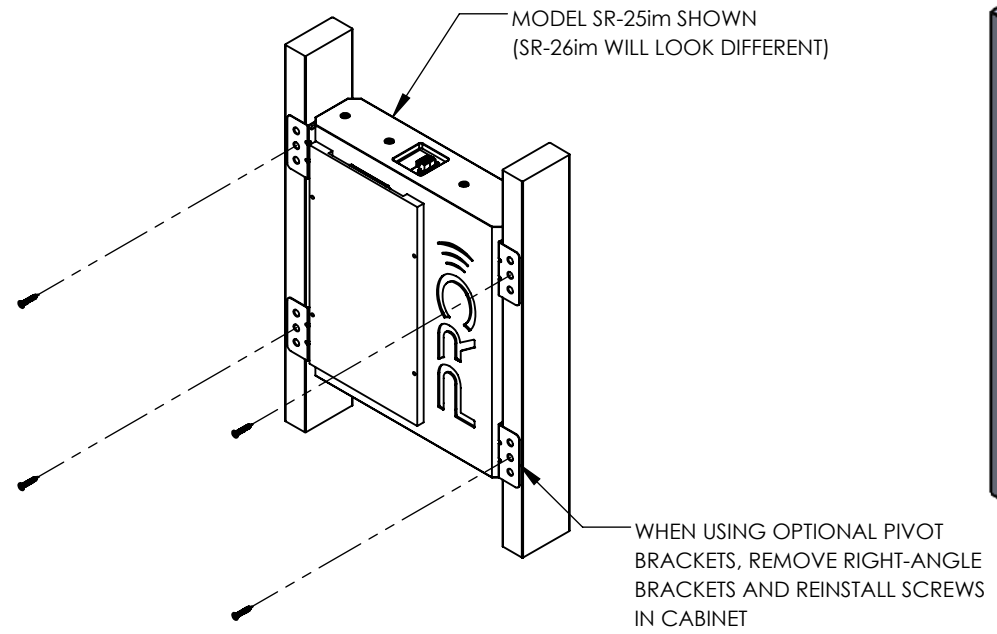
NOTES

1. DRYWALL GUIDE PROTECTS DRIVERS DURING CONSTRUCTION AND PROVIDES TEMPLATE FOR DRYWALL CUTOUT
2. ORDER SR-26im PERFORATED SURFACE MOUNT GRILLE, PART NUMBER "SR-26im-GRILLE-KIT"
3. **MODEL SR-26im IS REQUIRES BI-AMP OPERATION. 4 CONDUCTORS REQUIRED.**

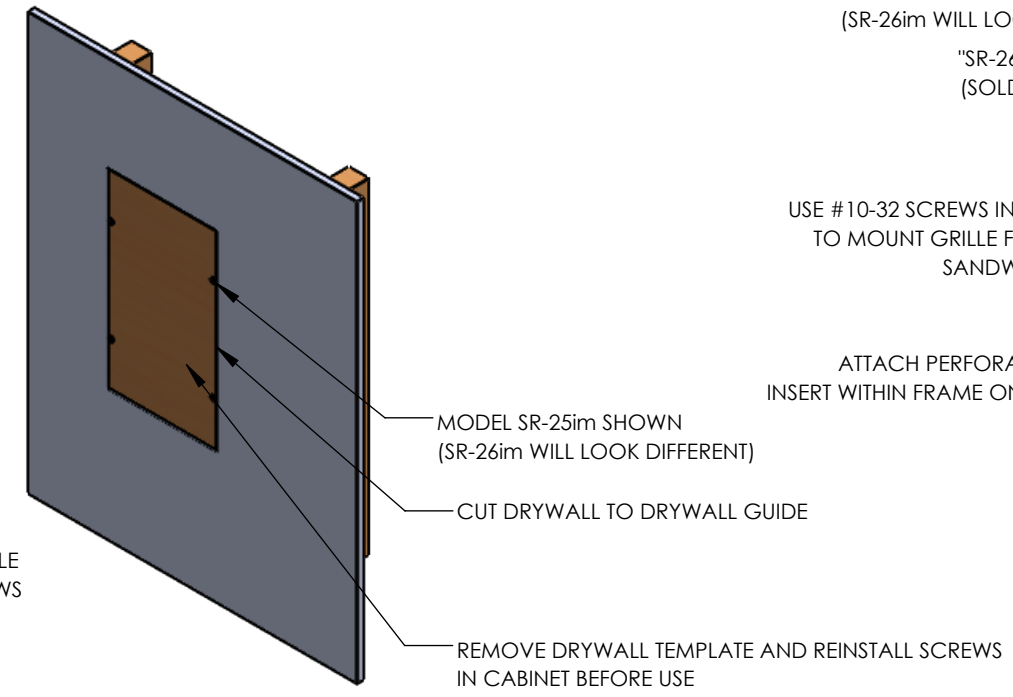
PROPRIETARY AND CONFIDENTIAL

THE INFORMATION CONTAINED IN THIS DRAWING IS THE SOLE PROPERTY OF PROFESSIONAL HOME CINEMA, LLC. ANY REPRODUCTION IN PART OR AS A WHOLE WITHOUT THE WRITTEN PERMISSION OF PROFESSIONAL HOME CINEMA, LLC IS PROHIBITED. THE HOLDER OF THIS DOCUMENT SHALL KEEP ALL INFORMATION CONTAINED HEREIN CONFIDENTIAL AND SHALL PROTECT THE SAME IN WHOLE OR IN PART FROM DISCLOSURE AND DISSEMINATION TO ALL THIRD PARTIES.

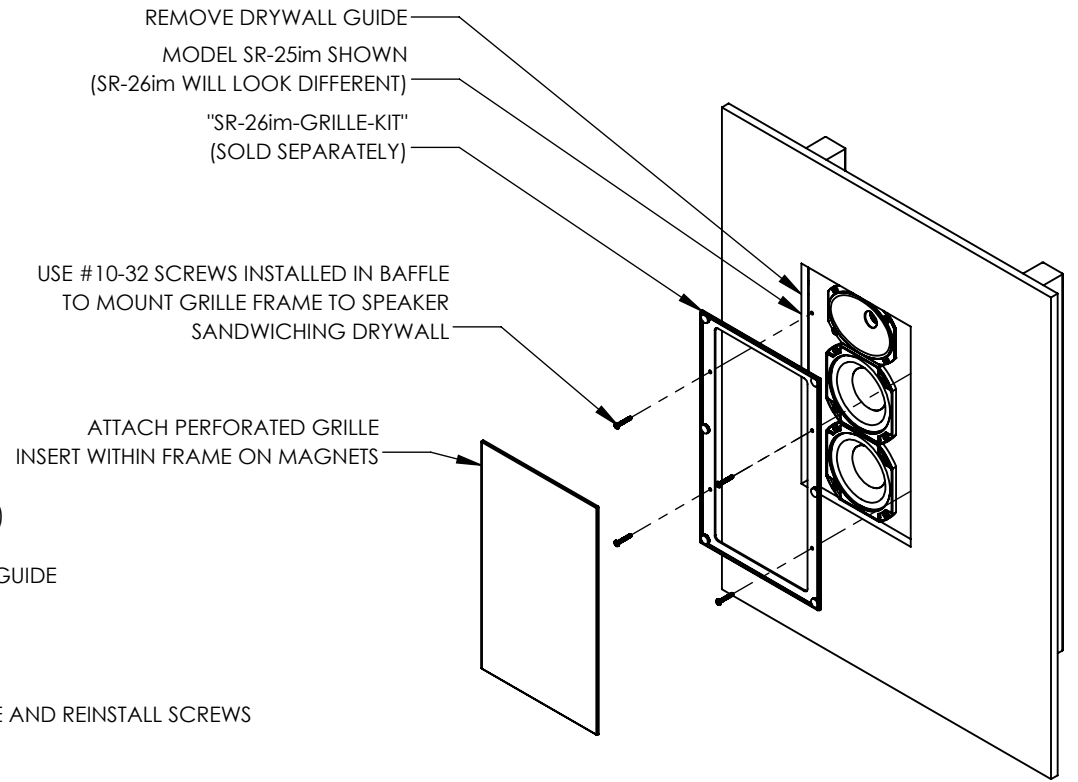
		UNLESS OTHERWISE SPECIFIED:		NAME	DATE	PROFESSIONAL HOME CINEMA, LLC	
		DIMENSIONS ARE IN INCHES		DRAWN		TITLE:	
		TOLERANCES:		CHECKED		SR-26im DIMENSIONS AND WIRING	
		FRACTIONAL ±		ENG APPR.		SIZE	
		ANGULAR: MACH ±		MFG APPR.		B	
		BEND ±		Q.A.		PART NO.	
		TWO PLACE DECIMAL ±0.01				REV	
		THREE PLACE DECIMAL ±0.01				SCALE: 1:10 WEIGHT:	
NEXT ASSY		USED ON				SHEET 1 OF 2	
APPLICATION		DO NOT SCALE DRAWING					



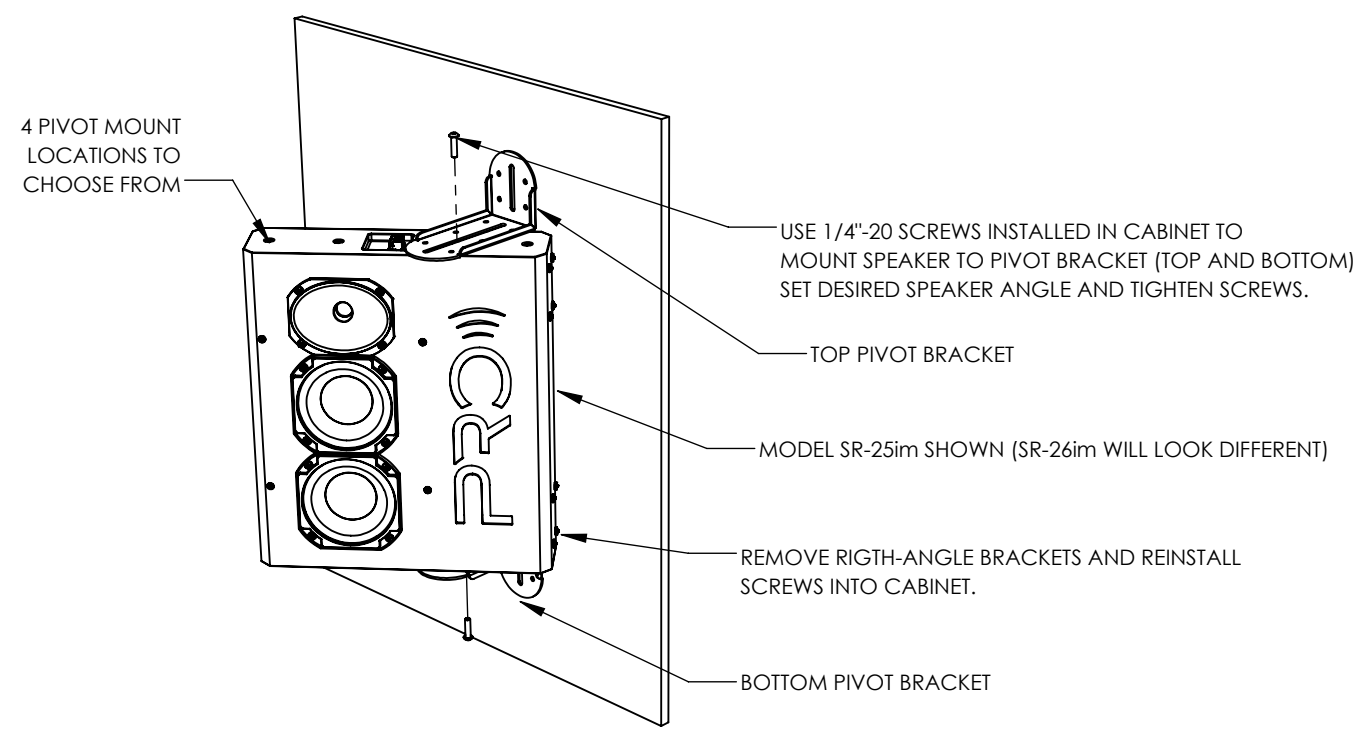
**SPEAKER INSTALLATION
FLUSH MOUNT**



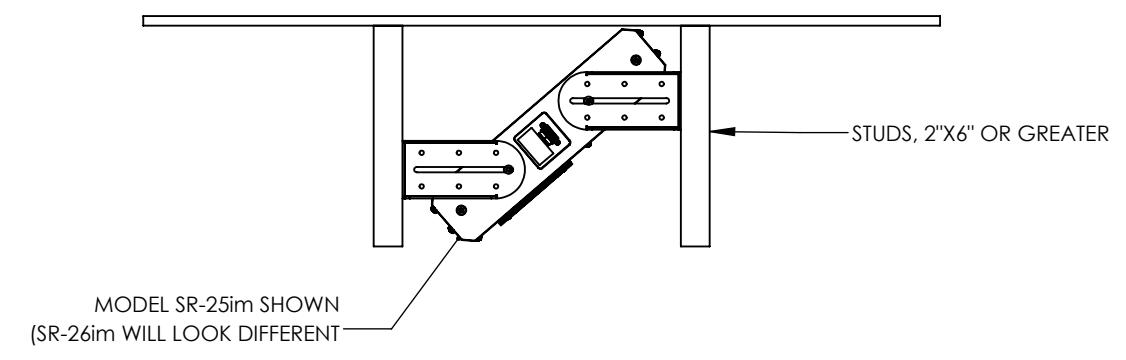
DRYWALL INSTALLATION



(OPTIONAL) GRILLE INSTALLATION



**SPEAKER INSTALLATION
(OPTIONAL) PIVOT BRACKET SURFACE MOUNT
ONE "PIVOT-BRACKET-KIT" REQUIRED PER SPEAKER**



**SPEAKER INSTALLATION (TOP VIEW)
(OPTIONAL) PIVOT BRACKET STUD MOUNT
TWO "PIVOT-BRACKET-KIT" REQUIRED PER SPEAKER**

TITLE:	SR-25im/6im/26im INSTALL GUIDE	SIZE	PART NO.	REV
		B		
PROFESSIONAL HOME CINEMA, LLC		SCALE: 1:10	WEIGHT:	SHEET 2 OF 2