

NOTES

1. DRYWALL GUIDE PROTECTS DRIVERS DURING CONSTRUCTION AND PROVIDES TEMPLATE FOR DRYWALL CUTOUT
2. ORDER SR-6im PERFORATED SURFACE MOUNT GRILLE, PART NUMBER "SR-6im/25im-GRILLE-KIT"
3. **MODEL SR-6im REQUIRES BI-AMP OPERATION. 4 CONDUCTORS REQUIRED.**

PROPRIETARY AND CONFIDENTIAL

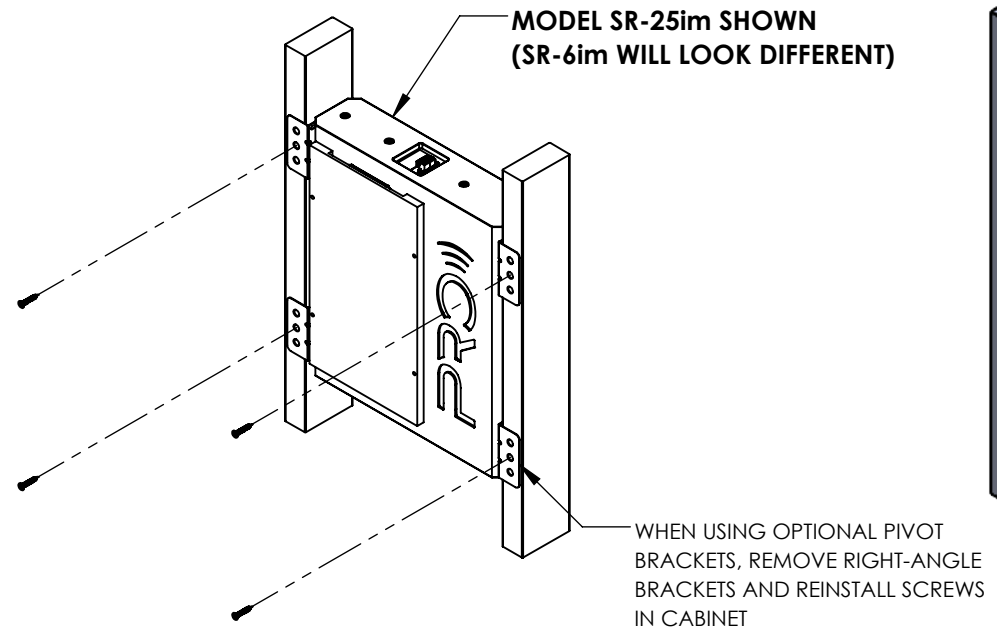
THE INFORMATION CONTAINED IN THIS DRAWING IS THE SOLE PROPERTY OF PROFESSIONAL HOME CINEMA, LLC. ANY REPRODUCTION IN PART OR AS A WHOLE WITHOUT THE WRITTEN PERMISSION OF PROFESSIONAL HOME CINEMA, LLC IS PROHIBITED. THE HOLDER OF THIS DOCUMENT SHALL KEEP ALL INFORMATION CONTAINED HEREIN CONFIDENTIAL AND SHALL PROTECT THE SAME IN WHOLE OR IN PART FROM DISCLOSURE AND DISSEMINATION TO ALL THIRD PARTIES.

		UNLESS OTHERWISE SPECIFIED:		NAME	DATE
		DIMENSIONS ARE IN INCHES		DRAWN	
		TOLERANCES:		CHECKED	
		FRACTIONAL ±		ENG APPR.	
		ANGULAR: MACH ±		MFG APPR.	
		BEND ±		Q.A.	
		TWO PLACE DECIMAL ±0.01			
		THREE PLACE DECIMAL ±0.01			
		MATERIAL			
NEXT ASSY	USED ON	FINISH		SIZE	PART NO.
APPLICATION		DO NOT SCALE DRAWING		B	
				SCALE: 1:10	WEIGHT:
				SHEET 1 OF 2	

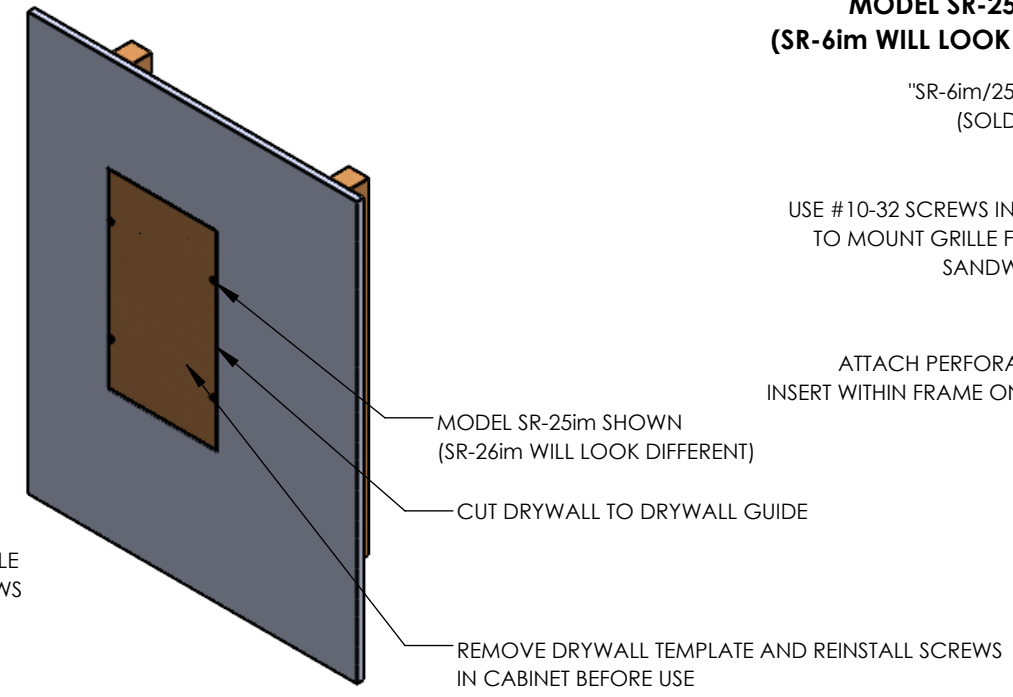
PRO AUDIO TECHNOLOGY

TITLE:
SR-6im DIMENSIONS AND WIRING

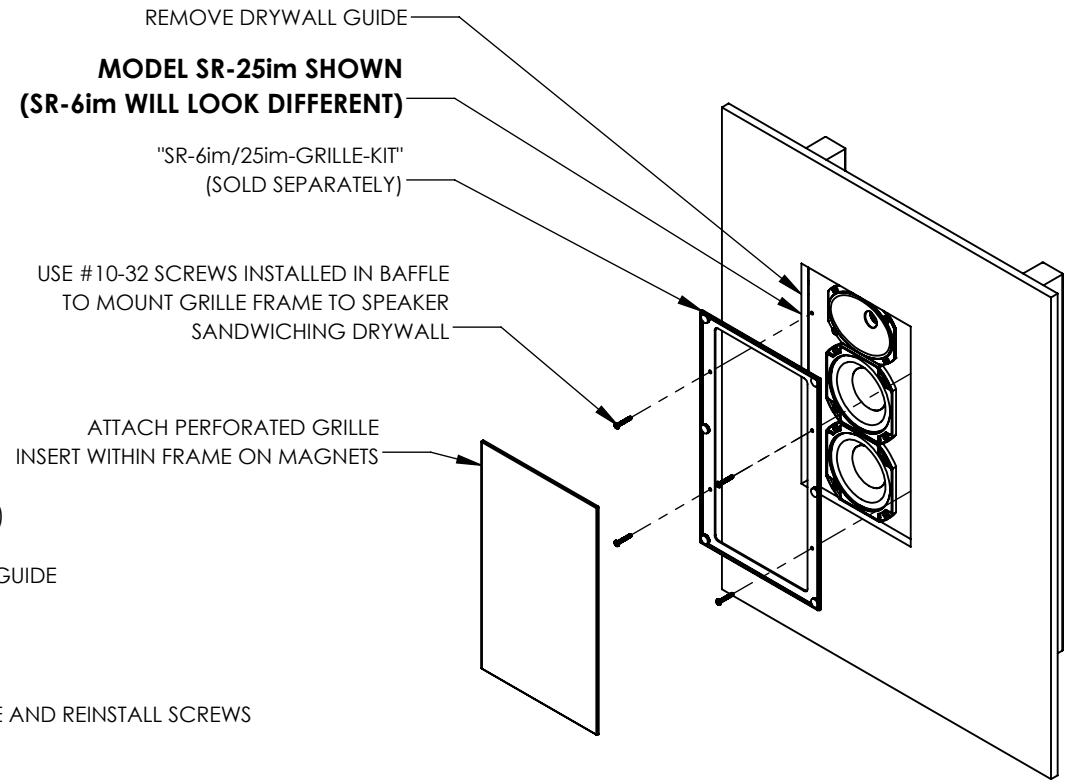
REV



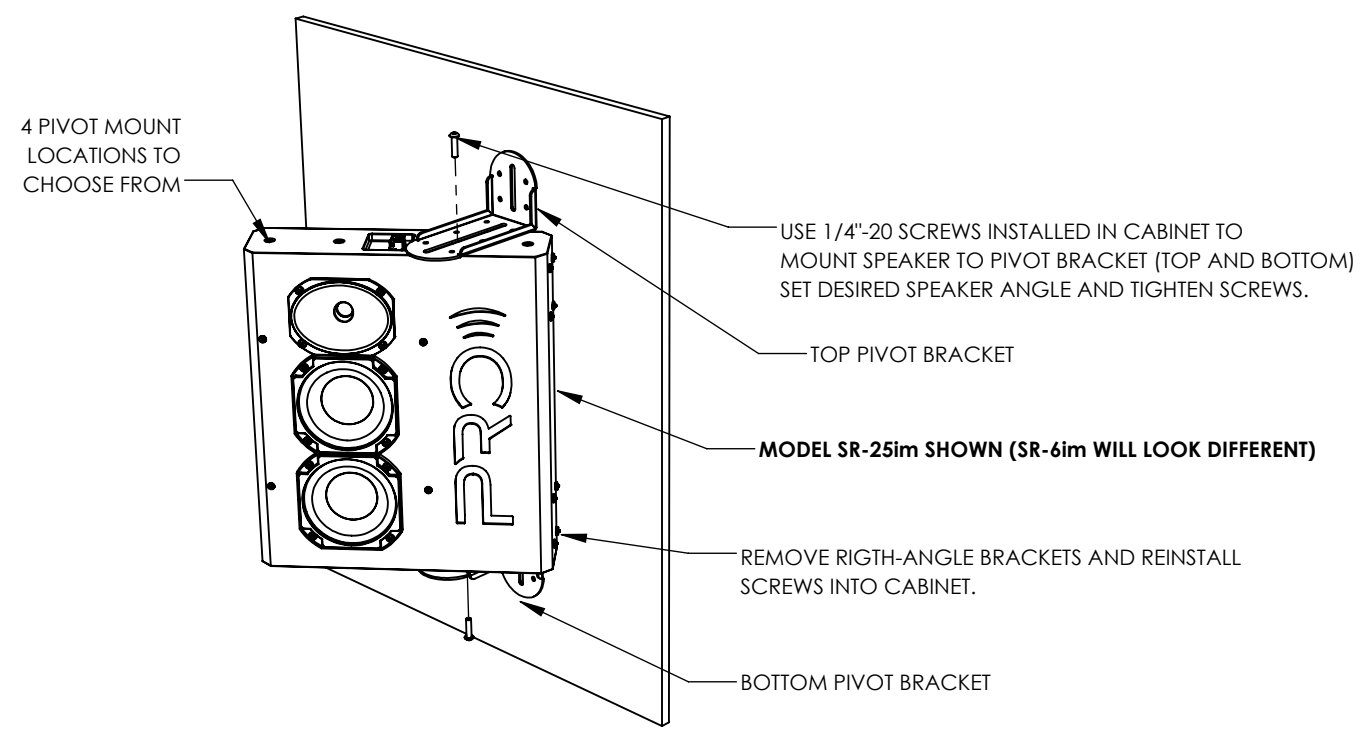
**SPEAKER INSTALLATION
FLUSH MOUNT**



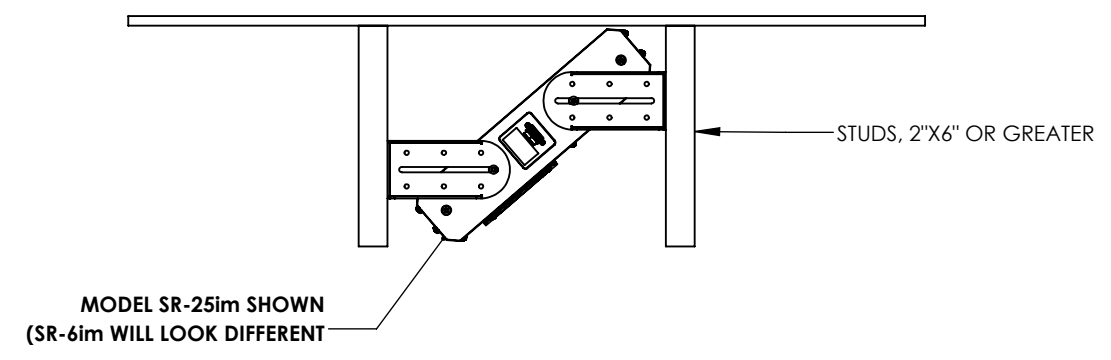
DRYWALL INSTALLATION



(OPTIONAL) GRILLE INSTALLATION



**SPEAKER INSTALLATION
(OPTIONAL) PIVOT BRACKET SURFACE MOUNT
ONE "PIVOT-BRACKET-KIT" REQUIRED PER SPEAKER**



**SPEAKER INSTALLATION (TOP VIEW)
(OPTIONAL) PIVOT BRACKET STUD MOUNT
TWO "PIVOT-BRACKET-KIT" REQUIRED PER SPEAKER**

TITLE:	SR-25im/6im/26im INSTALL GUIDE	SIZE	PART NO.	REV
	PRO AUDIO TECHNOLOGY	B		
		SCALE: 1:10	WEIGHT:	SHEET 2 OF 2