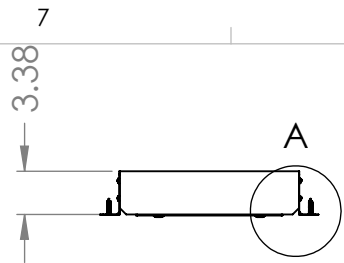


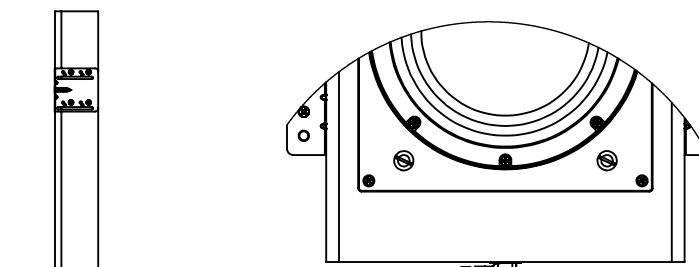
TOP VIEW



PRO ANGLE BRACKET
(X10, SUPPLIED)

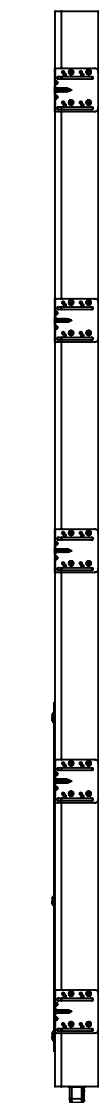
#12 WOOD SCREW (X10, SUPPLIED)

DETAIL A
SCALE 2 : 15



RIGHT ANGLE WIRE NUT
PRY TABS TO OPEN, INSERT
WIRE, THEN CLOSE TO RIGHT ANGLE
TO SEAL

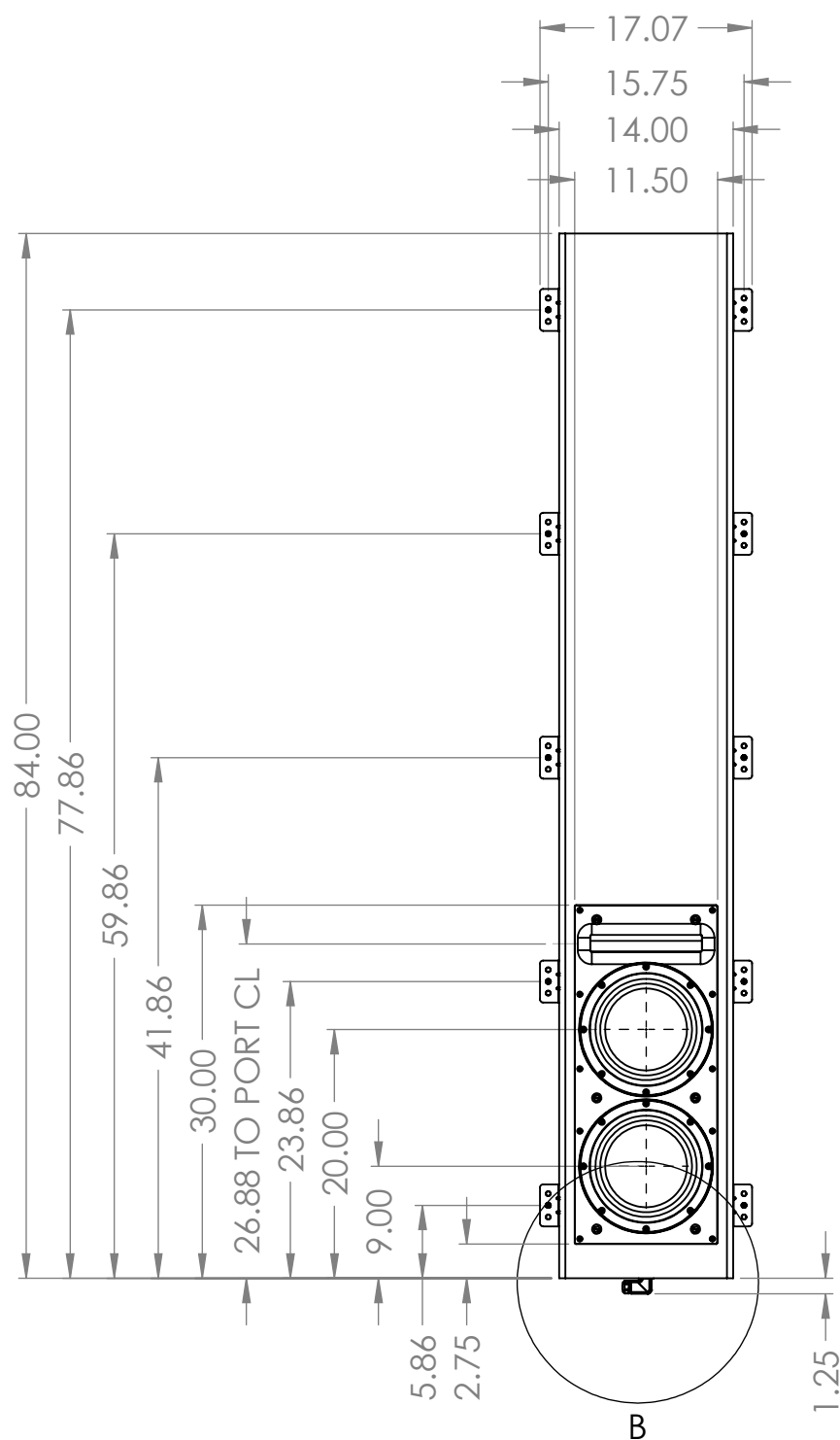
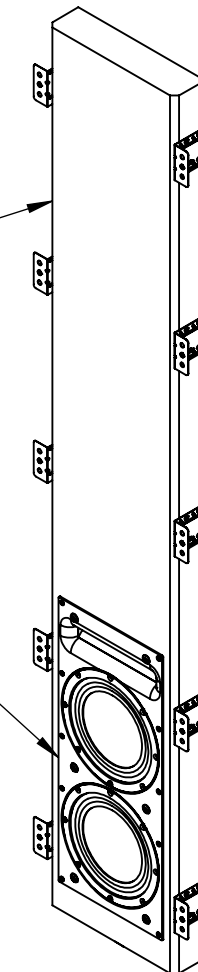
DETAIL B
SCALE 2 : 15



LFC-210im ENCLOSURE

LFC-210im SPEAKER
ASSEMBLY (SEE SHT. 2)

ISO VIEW
COMPLETE ASSEMBLY



**FRONT VIEW
COMPLETE ASSEMBLY**

**SIDE VIEW
COMPLETE ASSEMBLY**

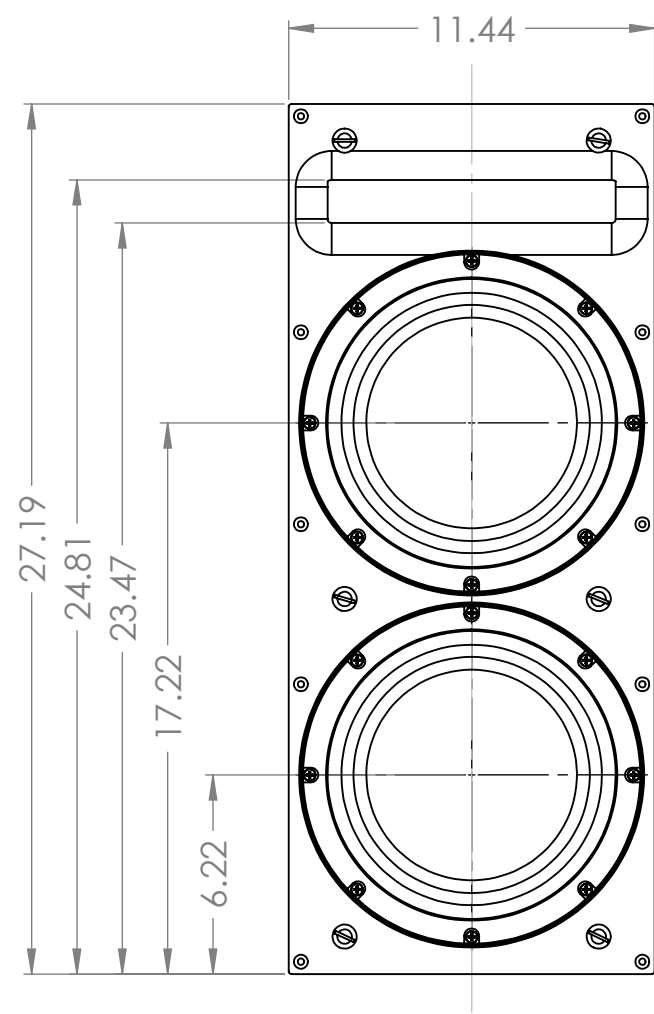
PROPRIETARY AND CONFIDENTIAL
THE INFORMATION CONTAINED IN THIS DRAWING IS THE SOLE PROPERTY OF PROFESSIONAL HOME CINEMA, LLC. ANY REPRODUCTION IN PART OR AS A WHOLE WITHOUT THE WRITTEN PERMISSION OF PROFESSIONAL HOME CINEMA, LLC IS PROHIBITED. THE HOLDER OF THIS DOCUMENT SHALL KEEP ALL INFORMATION CONTAINED HEREIN CONFIDENTIAL AND SHALL PROTECT THE SAME IN WHOLE OR IN PART FROM DISCLOSURE AND DISSEMINATION TO ALL THIRD PARTIES.

| | | | | | | | |
|-------------|---------|--------------------------------------|--|-----------|------|--------------------------------------|----------|
| | | UNLESS OTHERWISE SPECIFIED: | | NAME | DATE | PROFESSIONAL HOME CINEMA, LLC | |
| | | DIMENSIONS ARE IN INCHES | | DRAWN | | TITLE: | |
| | | TOLERANCES: | | CHECKED | | | |
| | | FRACTIONAL ± | | ENG APPR. | | | |
| | | ANGULAR: MACH ± BEND ± | | MFG APPR. | | | |
| | | TWO PLACE DECIMAL ±0.01 | | Q.A. | | | |
| | | THREE PLACE DECIMAL ±0.01 | | | | SIZE | PART NO. |
| NEXT ASSY | USED ON | INTERPRET GEOMETRIC TOLERANCING PER: | | | | B | REV |
| | | MATERIAL | | | | SCALE: 1:15 WEIGHT: | |
| | | FINISH | | | | SHEET 1 OF 2 | |
| APPLICATION | | DO NOT SCALE DRAWING | | | | | |

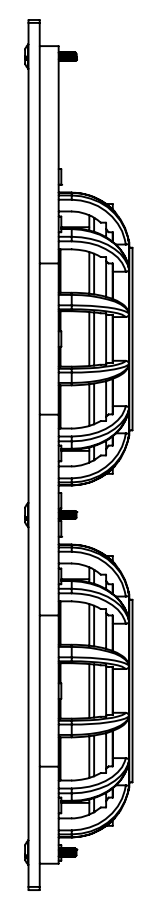


8 7 6 5 4 3 2 1

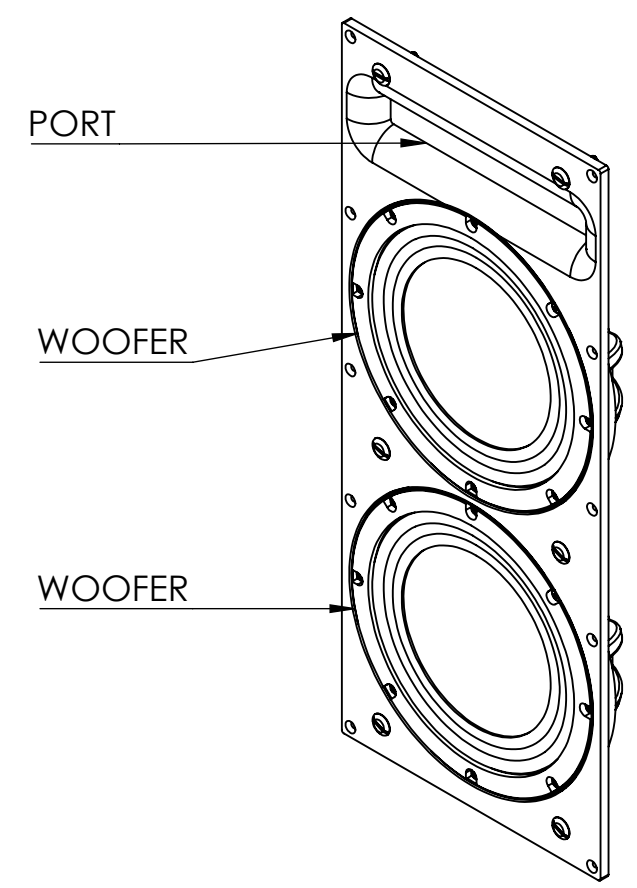
D
C
B
A



**FRONT VIEW
SPEAKER ASSEMBLY**



**SIDE VIEW
SPEAKER ASSEMBLY**



**ISO VIEW
SPEAKER ASSEMBLY**

8 7 6 5 4 3 2 1

| | | | |
|--------------------------------------|------------|----------|--------------|
| TITLE: | SIZE | PART NO. | REV |
| | B | | |
| PROFESSIONAL HOME CINEMA, LLC | SCALE: 1:6 | WEIGHT: | SHEET 2 OF 2 |