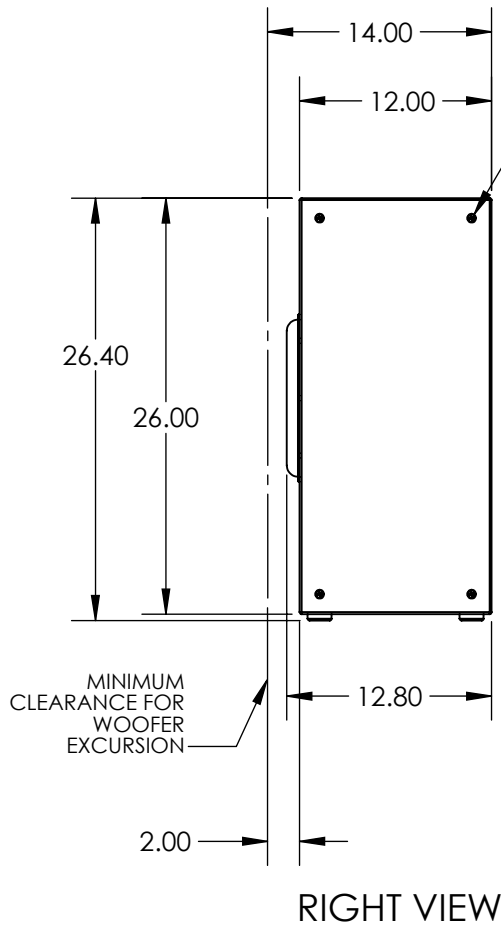
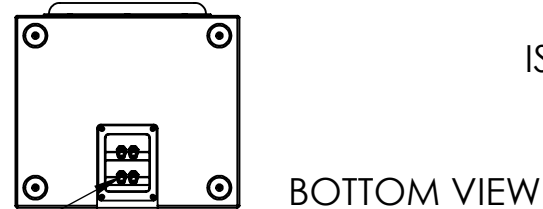
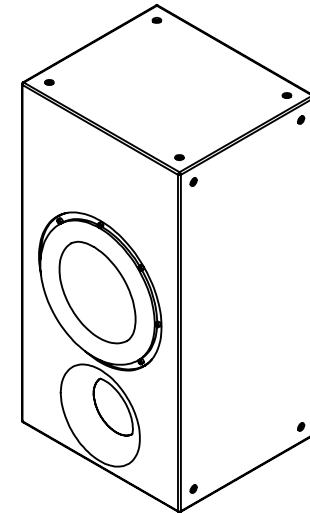
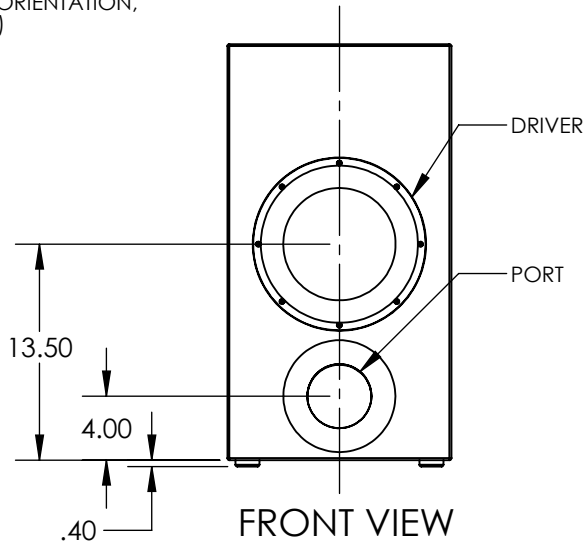
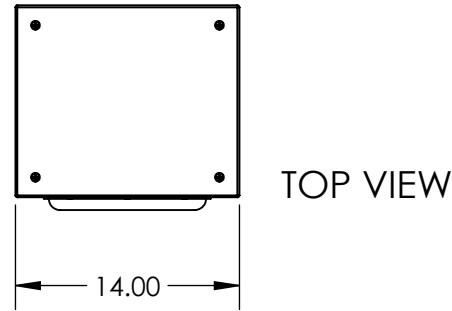


Note:
 This PHC speaker is coated with an ultra-durable poly urea coating that varies slightly in thickness; therefore the overall dimensions may vary slightly from those shown in this drawing. Allowance for this variance should be included in the system installation design.



PHC MOUNTING BRACKET SCREW LOCATIONS (MAY BE USED TO RELOCATE FEET FOR HORIZONTAL ORIENTATION, 8 LOCATIONS)



RIGHT VIEW

FRONT VIEW

ISOMETRIC VIEW

BOTTOM VIEW

PROPRIETARY AND CONFIDENTIAL
 THE INFORMATION CONTAINED IN THIS DRAWING IS THE SOLE PROPERTY OF PROFESSIONAL HOME CINEMA, LLC. ANY REPRODUCTION IN PART OR AS A WHOLE WITHOUT THE WRITTEN PERMISSION OF PROFESSIONAL HOME CINEMA, LLC IS PROHIBITED. THE HOLDER OF THIS DOCUMENT SHALL KEEP ALL INFORMATION CONTAINED HEREIN CONFIDENTIAL AND SHALL PROTECT THE SAME IN WHOLE OR IN PART FROM DISCLOSURE AND DISSEMINATION TO ALL THIRD PARTIES.

		DIMENSIONS ARE IN INCHES TOLERANCES: FRACTIONAL ± ANGULAR: MACH ± BEND ± TWO PLACE DECIMAL ± THREE PLACE DECIMAL ±	NAME	DATE
		MATERIAL		
		FINISH		
NEXT ASSY	USED ON			
APPLICATION	DO NOT SCALE DRAWING			

PROFESSIONAL HOME CINEMA, LLC		
LFC-10sm DIMENSIONS		
SIZE A	DWG. NO.	REV.
SCALE:1:15	WEIGHT:	SHEET 1 OF 1

