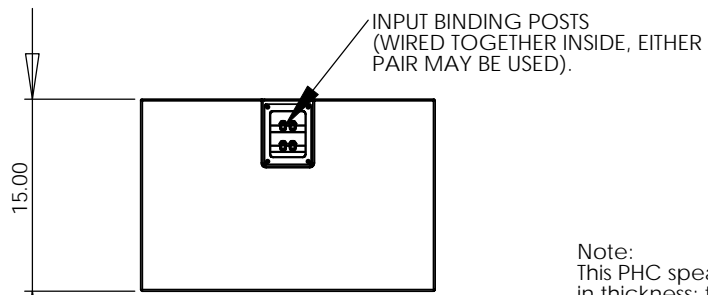
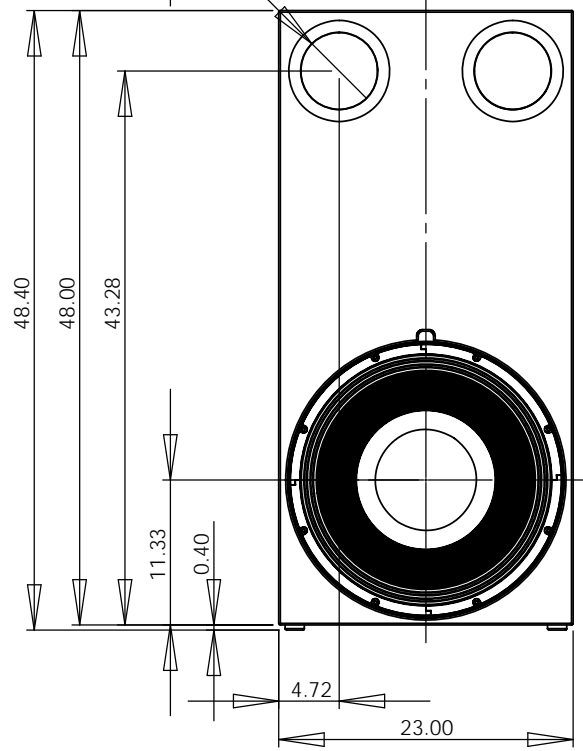


REVISIONS			
RELEASE	REV.	DESCRIPTION	DATE
	A	INITIAL RELEASE	3/20/2009

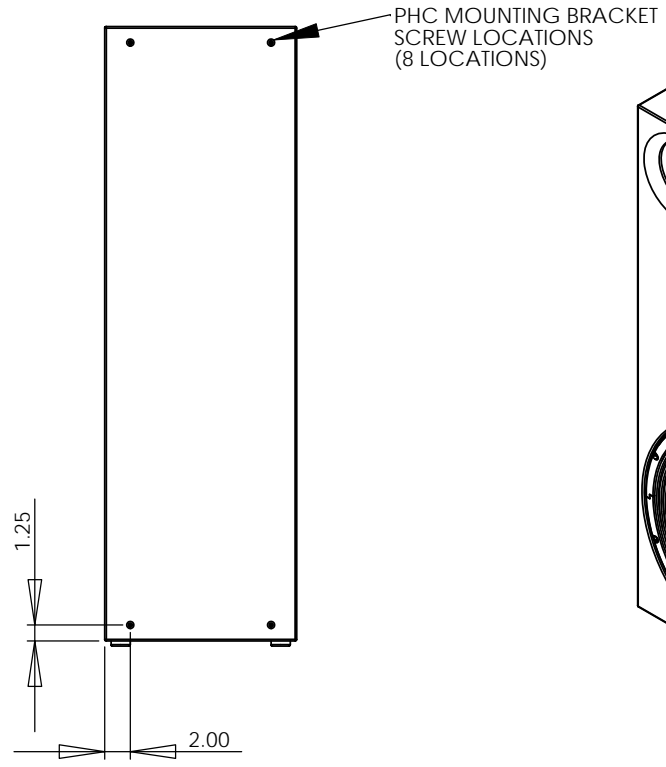


TOP VIEW

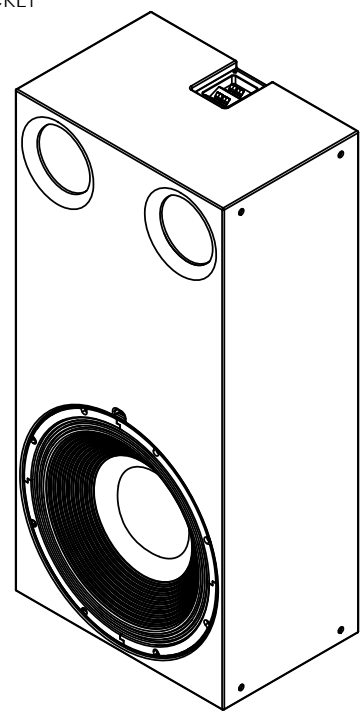
Note:
This PHC speaker is coated with an ultra-durable poly urea coating that varies slightly in thickness; therefore the overall dimensions may vary slightly from those shown in this drawing. Allowance for this variance should be included in the system installation design.



FRONT VIEW



RIGHT SIDE VIEW



ISOMETRIC VIEW

PROPRIETARY AND CONFIDENTIAL
THE INFORMATION CONTAINED IN THIS DRAWING IS THE SOLE PROPERTY OF PROFESSIONAL HOME CINEMA, LLC. ANY REPRODUCTION IN PART OR AS A WHOLE WITHOUT THE WRITTEN PERMISSION OF PROFESSIONAL HOME CINEMA, LLC IS PROHIBITED. THE HOLDER OF THIS DOCUMENT SHALL KEEP ALL INFORMATION CONTAINED HEREIN CONFIDENTIAL AND SHALL PROTECT THE SAME IN WHOLE OR IN PART FROM DISCLOSURE AND DISSEMINATION TO ALL THIRD PARTIES.

		DIMENSIONS ARE IN INCHES		NAME		DATE		PROFESSIONAL HOME CINEMA, LLC	
		TOLERANCES:		DRAWN		3-20-09			
		FRACTIONAL ±		CHECKED					
		ANGULAR: MACH ± BEND ±		ENG APPR.					
		TWO PLACE DECIMAL ±		MFG APPR.					
		THREE PLACE DECIMAL ±		Q.A.					
		MATERIAL --		COMMENTS:					
NEXT ASSY	USED ON	FINISH --							
APPLICATION		DO NOT SCALE DRAWING							
				SIZE		DWG. NO.		REV.	
				A				A	
				SCALE:1:15		WEIGHT:		SHEET 1 OF 1	

LFC-21sm DIMENSIONS