

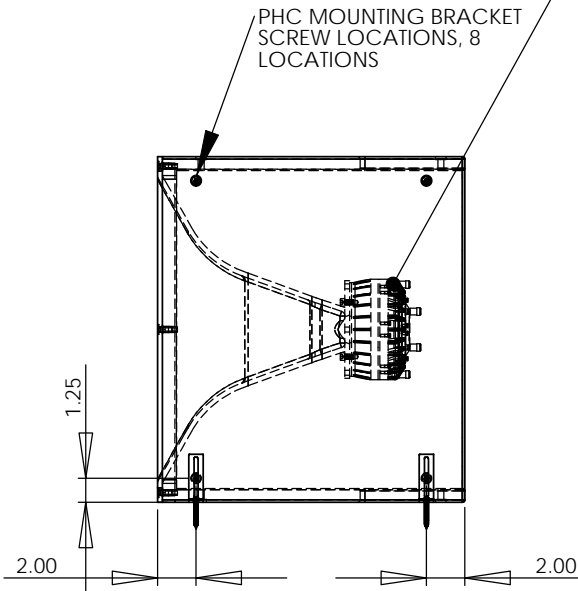
TOP VIEW

REVISIONS			
RELEASE	REV.	DESCRIPTION	DATE
A	1	INITIAL RELEASE	2-9-2009

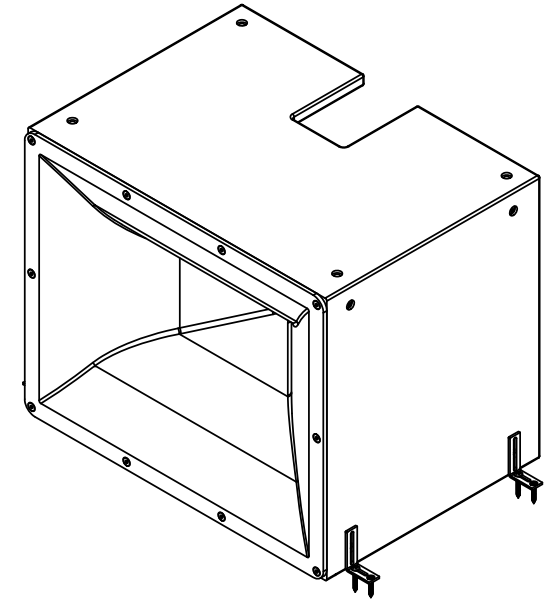
PHC MOUNTING BRACKETS (INCL.) MAY BE USED TO SECURE SPEAKER TO MOUNTING SURFACE WHEN NOT MOUNTING DIRECTLY OVER WOOFER MODULE

SCREW HOLES FOR SECURING TWEETER MODULE TO SCR-15/SCR-2215 WOOFER MODULE

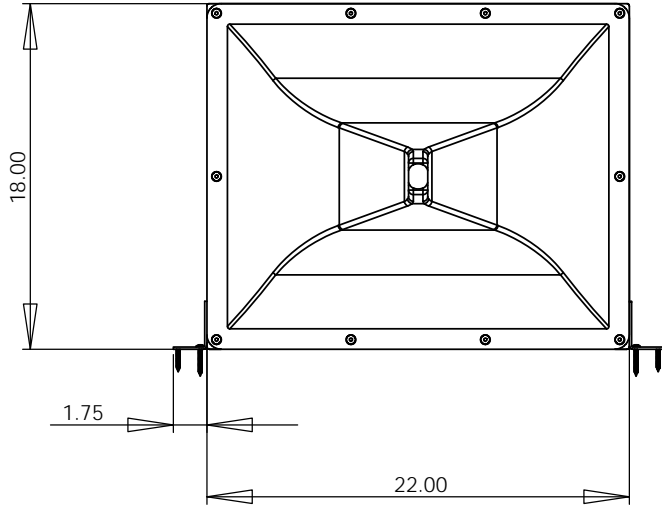
NOTE: SCR-2115 / SCR-2215 COMPRESSION DRIVER SHOWN SCR-15 DRIVER WILL LOOK DIFFERENT



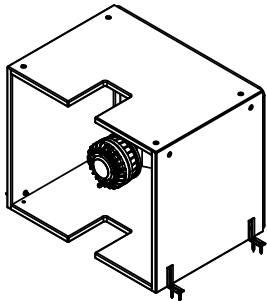
RIGHT SIDE VIEW



ISOMETRIC VIEW



FRONT VIEW



REAR ISOMETRIC VIEW

REAR OF ENCLOSURE IS OPEN TO ALLOW DIRECT CONNECTION TO COMPRESSION DRIVER INPUTS

PROPRIETARY AND CONFIDENTIAL

THE INFORMATION CONTAINED IN THIS DRAWING IS THE SOLE PROPERTY OF PROFESSIONAL HOME CINEMA, LLC. ANY REPRODUCTION IN PART OR AS A WHOLE WITHOUT THE WRITTEN PERMISSION OF PROFESSIONAL HOME CINEMA, LLC IS PROHIBITED. THE HOLDER OF THIS DOCUMENT SHALL KEEP ALL INFORMATION CONTAINED HEREIN CONFIDENTIAL AND SHALL PROTECT THE SAME IN WHOLE OR IN PART FROM DISCLOSURE AND DISSEMINATION TO ALL THIRD PARTIES.

		DIMENSIONS ARE IN INCHES TOLERANCES: FRACTIONAL ± ANGULAR: MACH ± BEND ± TWO PLACE DECIMAL ± THREE PLACE DECIMAL ±		NAME	DATE	PROFESSIONAL HOME CINEMA, LLC SCR-15 / SCR-2115 / SCR-2215 MF/HF MODULE
					3-21-09	
				DRAWN		
				CHECKED		
				ENG APPR.		
				MFG APPR.		
				Q.A.		
				COMMENTS:		
NEXT ASSY	USED ON	FINISH	--			
APPLICATION		DO NOT SCALE DRAWING				
SIZE A	DWG. NO. MODULE-HF-1.5-2			REV. A1		
SCALE:1:15		WEIGHT:		SHEET 1 OF 1		