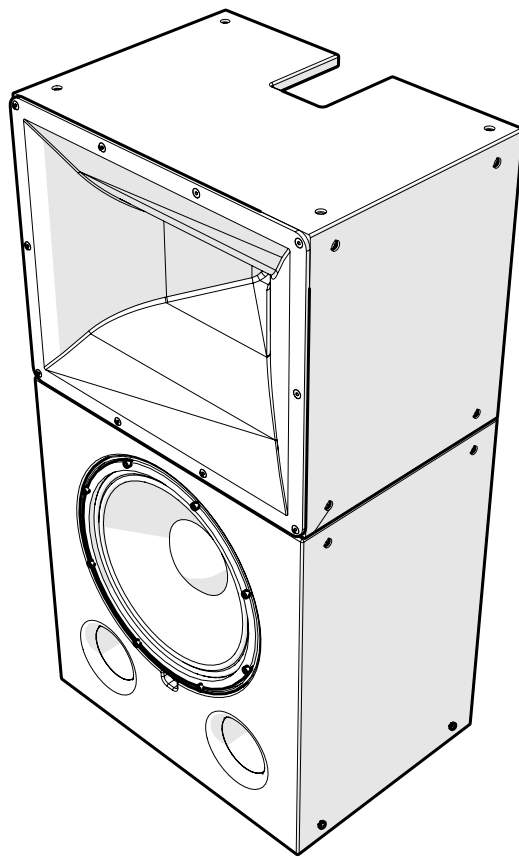


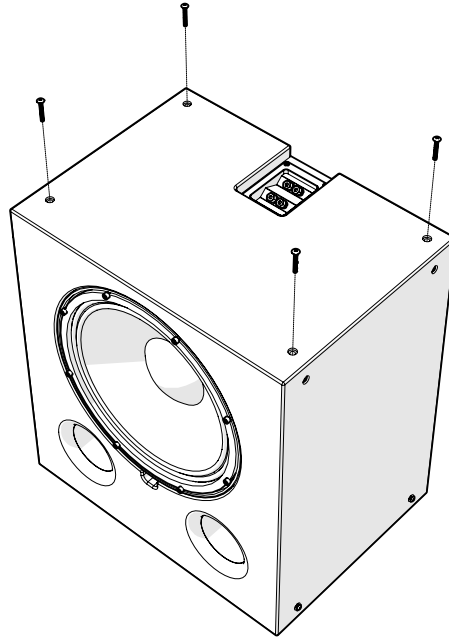
sm Installation Guide



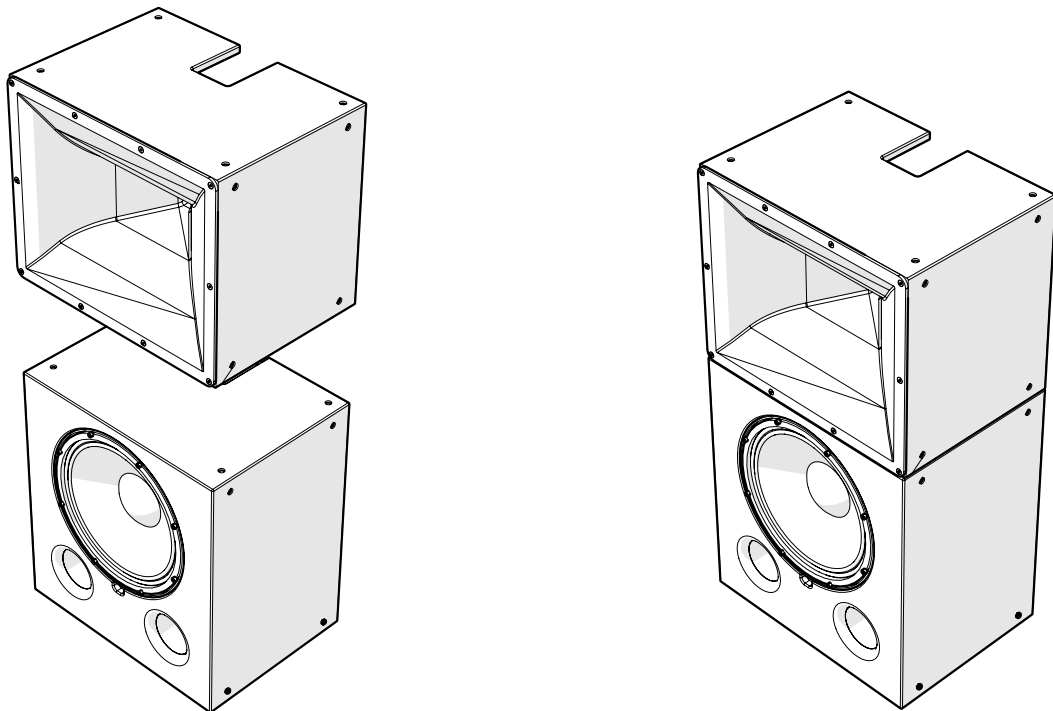
SCR-2115sm

STEP 1 - ATTACH HF UNIT TO LF UNIT

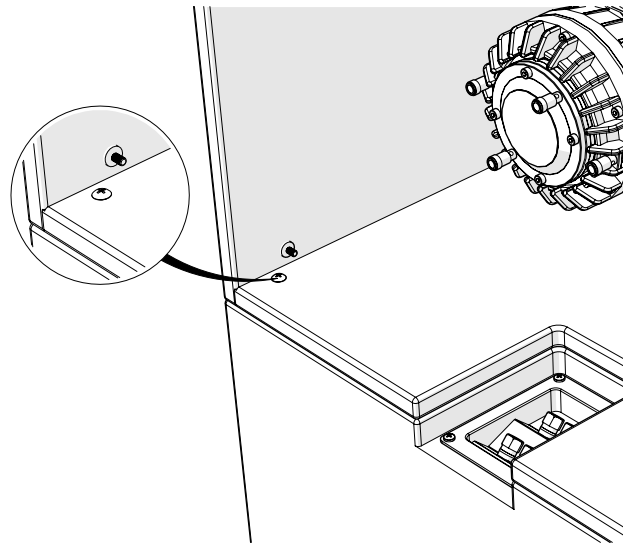
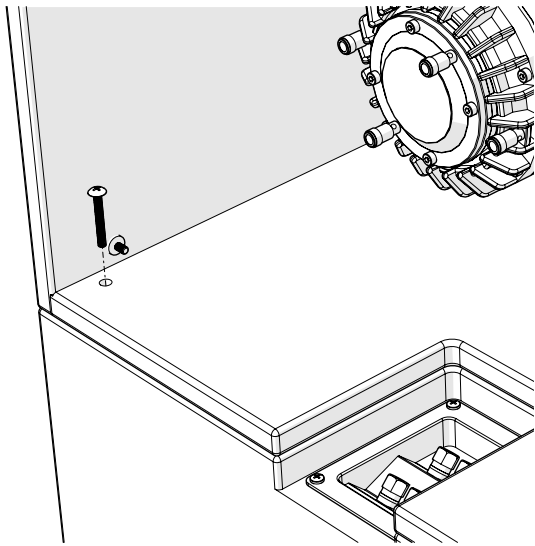
- 1a. Remove four screws on top surface of LF Unit



- 1b. Place HF Unit on LF Unit, aligning front-to-back, side-to-side

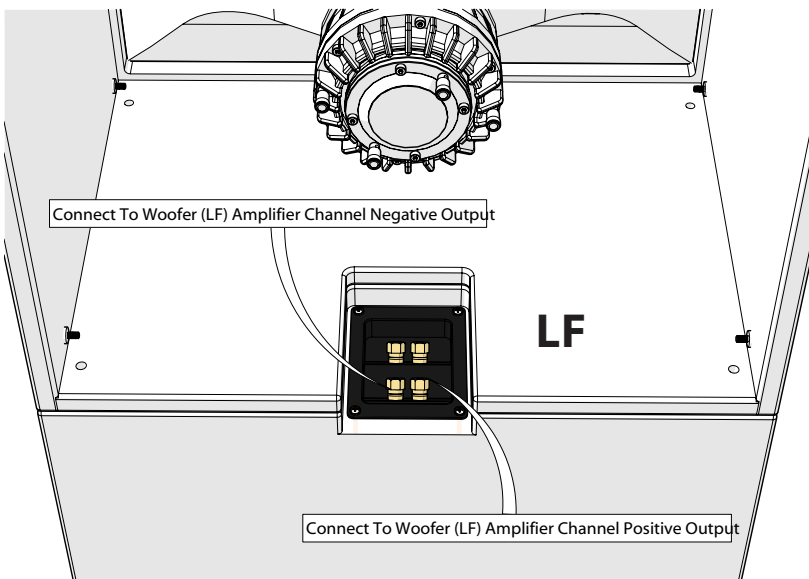


1c. Reinstall screws fastening HF Unit to LF Unit



STEP 2 - CONNECT LF UNIT

3a. Connect loudspeaker wires from amplifier LF channel output to either binding post pair on the LF unit. Be sure to observe correct polarity.



Note: The two pairs of binding posts on the LF unit are wired together inside the loudspeaker, therefore, either set may be used, or you may use all four to increase current capability by using four wires from your amplifier. If you use four, connect the two negative wires together and the two positive wires together at the amplifier end and then to the corresponding amplifier output terminal.

CAUTION: DO NOT CONNECT NEGATIVE AND POSITIVE WIRES TOGETHER. AMPLIFIER DAMAGE WILL RESULT.

STEP 3 - CONNECT MF AND HF DRIVER

- 4a. Connect loudspeaker wires from amplifier MF channel output directly to OUTER binding post pair on MF/HF driver. Be sure to observe correct polarity.
- 4b. Connect loudspeaker wires from amplifier HF channel output directly to INNER binding post pair on MF/HF driver. Be sure to observe correct polarity.

