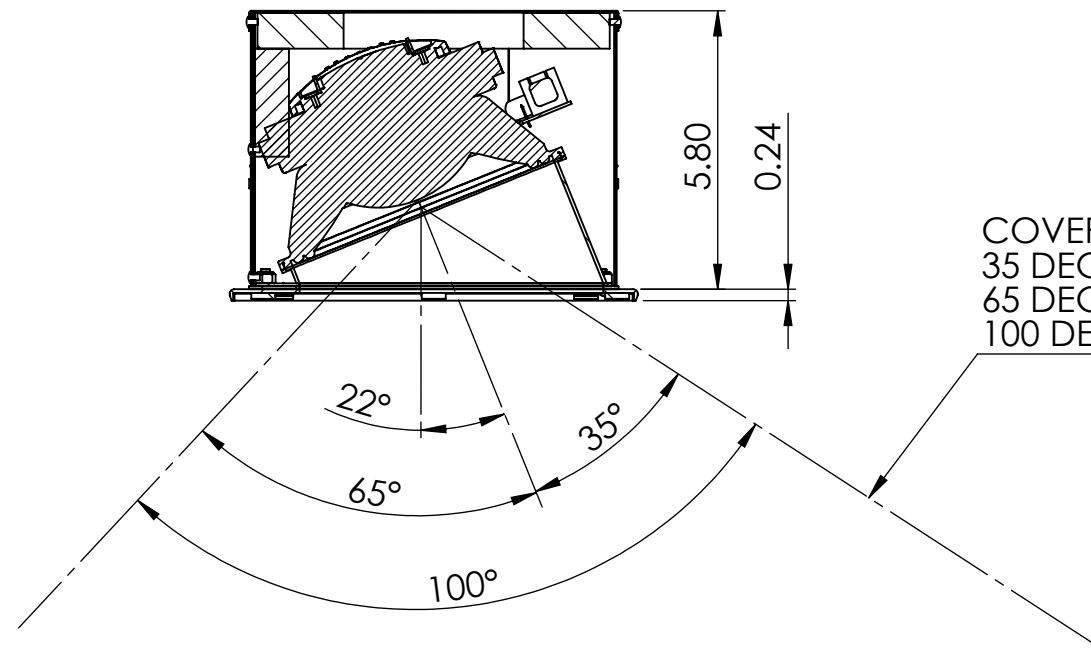


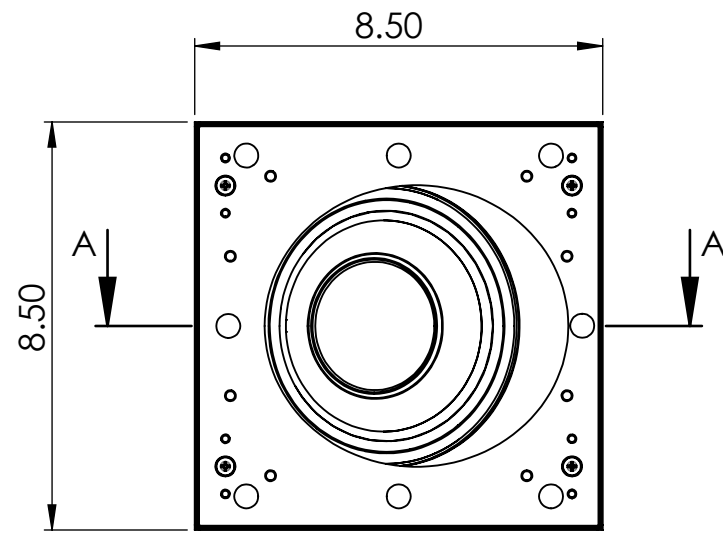
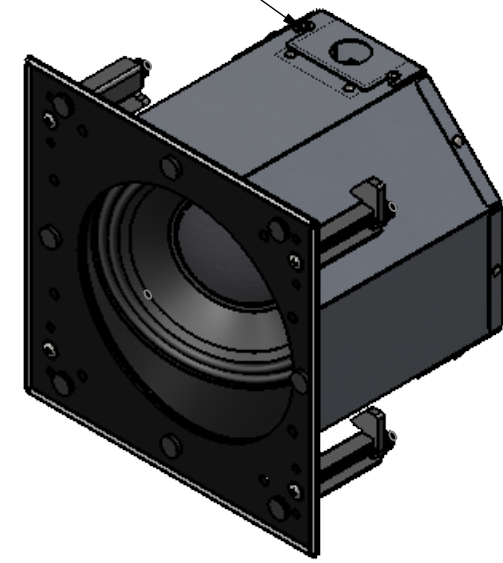
SECTION A-A
SCALE 1 : 4



COVERAGE:
35 DEGREES FRONT
65 DEGREES BACK
100 DEGREES CONICAL

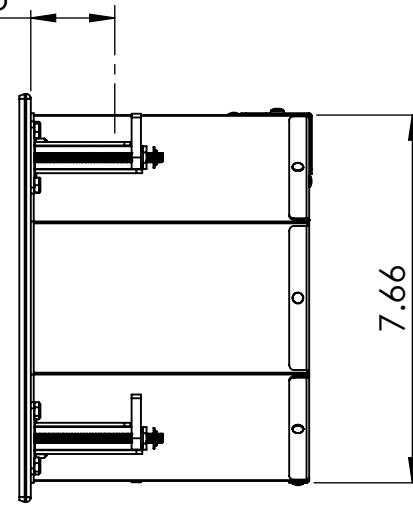
TERMINAL COVER WITH CONDUIT TERMINATION

ISO VIEW

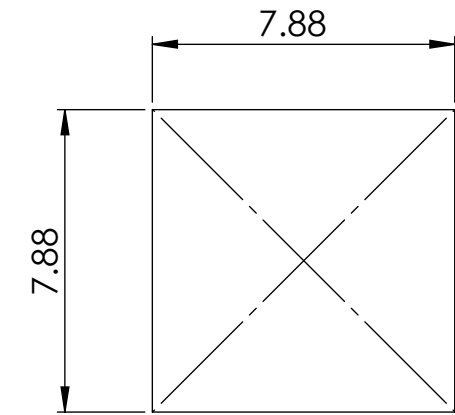


FRONT VIEW

MAX DRYWALL THICKNESS 1.75



SIDE VIEW



WALL CUTOUT

NOTES:

1. ALL METAL CONSTRUCTION
2. INCLUDED TERMINAL COVER WITH CONDUIT TERMINATION
3. 100 DEGREE CONICAL NOMINAL COVERAGE
4. PASSIVE CROSSOVER INCLUDED
5. LOOP OUTPUT

PROPRIETARY AND CONFIDENTIAL

THE INFORMATION CONTAINED IN THIS DRAWING IS THE SOLE PROPERTY OF PROFESSIONAL HOME CINEMA, LLC. ANY REPRODUCTION IN PART OR AS A WHOLE WITHOUT THE WRITTEN PERMISSION OF PROFESSIONAL HOME CINEMA, LLC IS PROHIBITED. THE HOLDER OF THIS DOCUMENT SHALL KEEP ALL INFORMATION CONTAINED HEREIN CONFIDENTIAL AND SHALL PROTECT THE SAME IN WHOLE OR IN PART FROM DISCLOSURE AND DISSEMINATION TO ALL THIRD PARTIES.

UNLESS OTHERWISE SPECIFIED:

DIMENSIONS ARE IN INCHES
TOLERANCES:
FRACTIONAL ±
ANGULAR: MACH ± BEND ±
TWO PLACE DECIMAL ±0.01
THREE PLACE DECIMAL ±0.01

INTERPRET GEOMETRIC TOLERANCING PER:

MATERIAL

FINISH

DO NOT SCALE DRAWING

NAME

DATE

DRAWN

CHECKED

ENG APPR.

MFG APPR.

Q.A.



PROFESSIONAL HOME CINEMA, LLC

TITLE:

SCRS-6c-ica

SIZE

B

PART NO.

REV

SCALE: 1:5

WEIGHT:

SHEET 1 OF 1