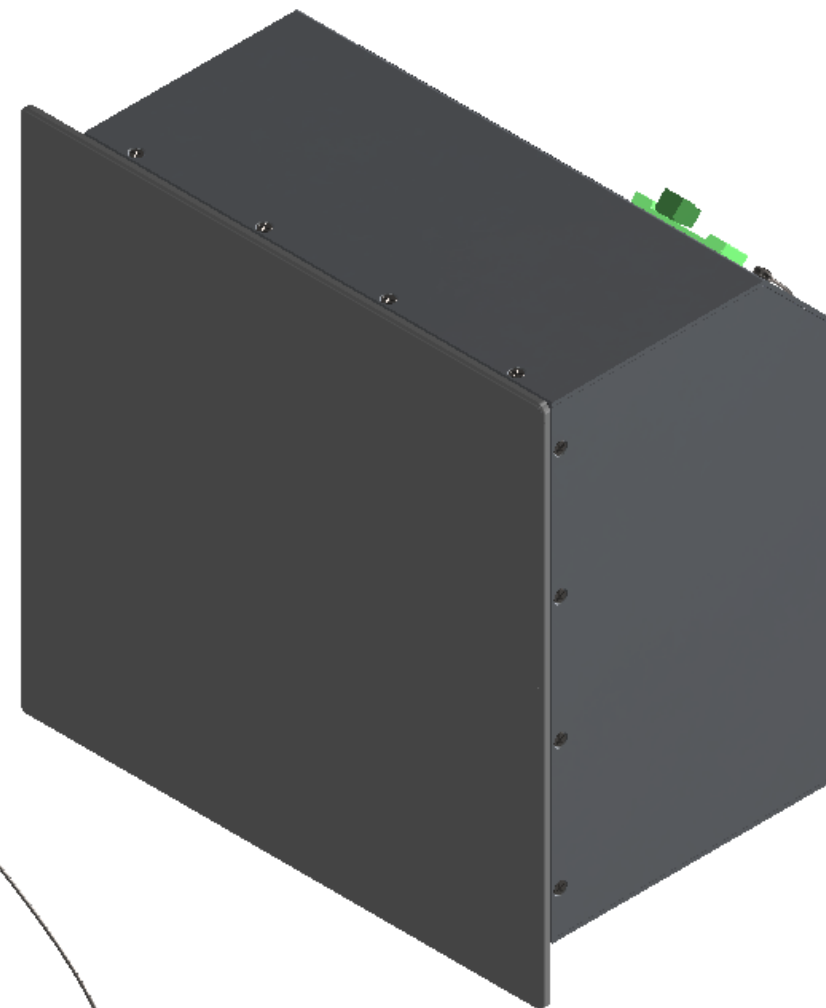
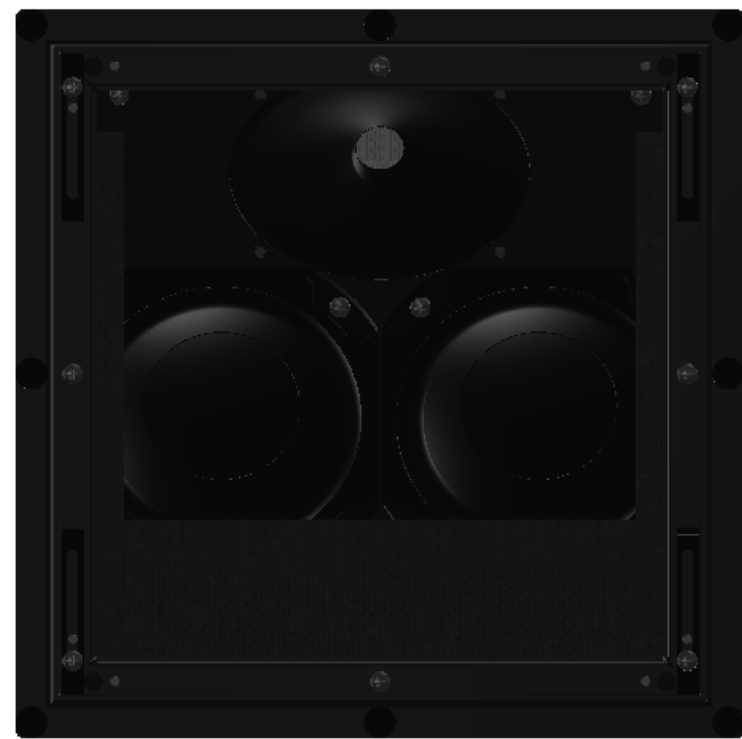


SCRS-25ica



CONTENTS:

- SHEET 1 : PRODUCT OVERVIEW
- SHEET 2 : OVERALL DIMENSIONS
- SHEET 3 : FRONT-TO-BACK DISPERSION PATTERN
- SHEET 4 : SIDE-TO-SIDE DISPERSION PATTERN

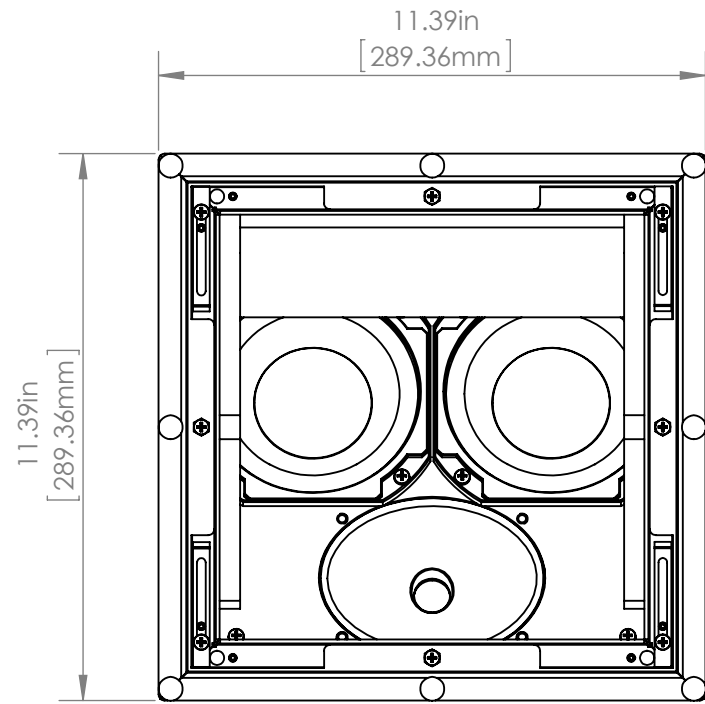
NOTES:

1. MAY BE OPERATED IN BI-AMP MODE OR IN SINGLE-AMP MODE WITH INCLUDED PASSIVE NETWORK
2. PRO AMPLIFIERS ONLY: DSP REQUIRED IN BOTH OPERATING MODES.
3. WILL CLAMP 0.50"-0.625" SHEETROCK WITH FACTORY CLAMP-PLATE SCREWS.
4. CAN BE MODIFIED TO CLAMP **ANY WALL MATERIAL THICKNESS** BY REPLACING #8-32 CLAMP PLATE SCREWS WITH SCREWS OF REQUIRED LENGTH. (SEE DETAIL D, SHEET 2 OF 3).
5. USE WITHOUT BACK BOX INTENDED ONLY FOR INFINITE BAFFLE TYPE INSTALLATIONS (LARGE ACOUSTIC VOLUME BEHIND SPEAKER). IN CONFINED SPACES, BACK BOX MUST BE USED.

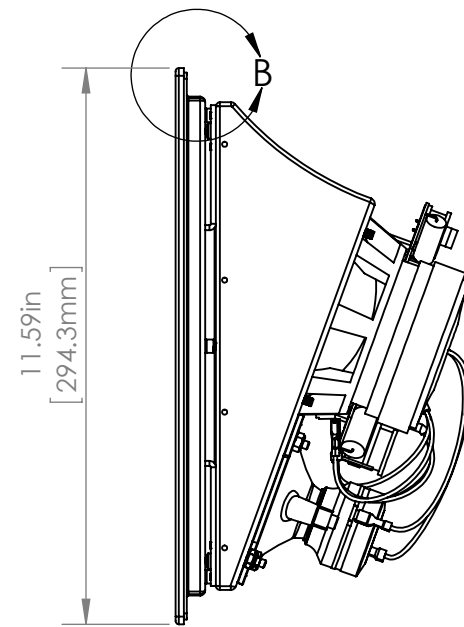
PROPRIETARY AND CONFIDENTIAL

THE INFORMATION CONTAINED IN THIS DRAWING IS THE SOLE PROPERTY OF PROFESSIONAL HOME CINEMA, LLC. ANY REPRODUCTION IN PART OR AS A WHOLE WITHOUT THE WRITTEN PERMISSION OF PROFESSIONAL HOME CINEMA, LLC IS PROHIBITED. THE HOLDER OF THIS DOCUMENT SHALL KEEP ALL INFORMATION CONTAINED HEREIN CONFIDENTIAL AND SHALL PROTECT THE SAME IN WHOLE OR IN PART FROM DISCLOSURE AND DISSEMINATION TO ALL THIRD PARTIES.

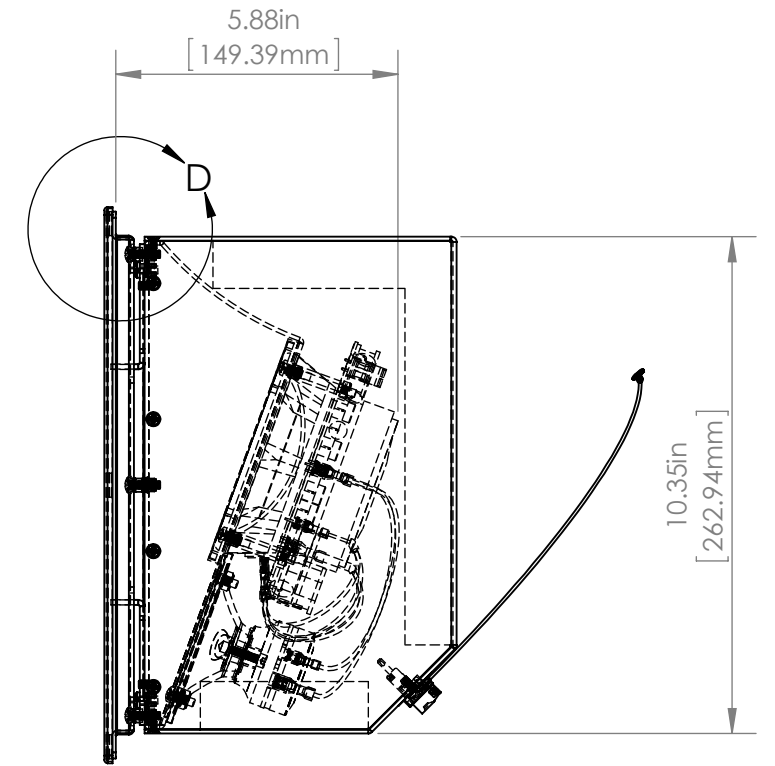
		UNLESS OTHERWISE SPECIFIED:		NAME	DATE	PROFESSIONAL HOME CINEMA, LLC	
		DIMENSIONS ARE IN INCHES		DRAWN		TITLE:	
		TOLERANCES:		CHECKED		SCRS-25ica	
		FRACTIONAL ±		ENG APPR.		SIZE	PART NO.
		ANGULAR: MACH ±		MFG APPR.		B	
		BEND ±		Q.A.		SCALE: 1:3	WEIGHT:
		TWO PLACE DECIMAL ±0.01					
		THREE PLACE DECIMAL ±0.01					
		INTERPRET GEOMETRIC TOLERANCING PER:				REV	
		MATERIAL				A	
NEXT ASSY	USED ON	FINISH				SHEET 1 OF 4	
APPLICATION		DO NOT SCALE DRAWING					



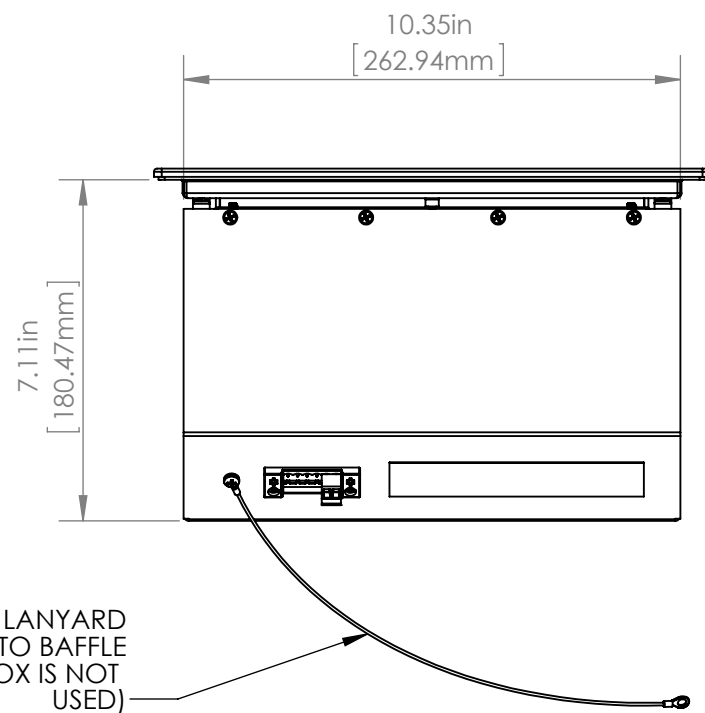
FRONT VIEW



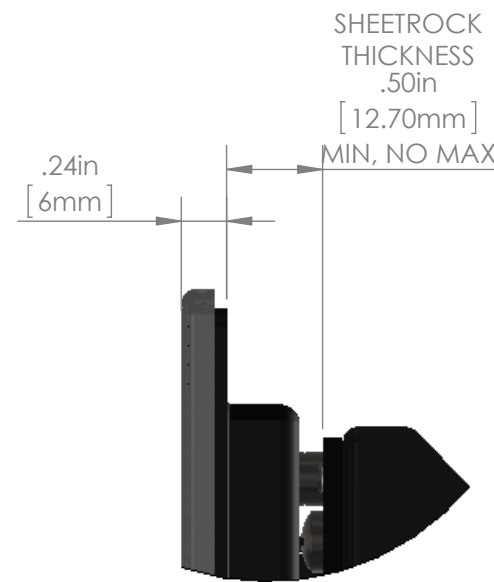
SIDE VIEW WITH GRILLE



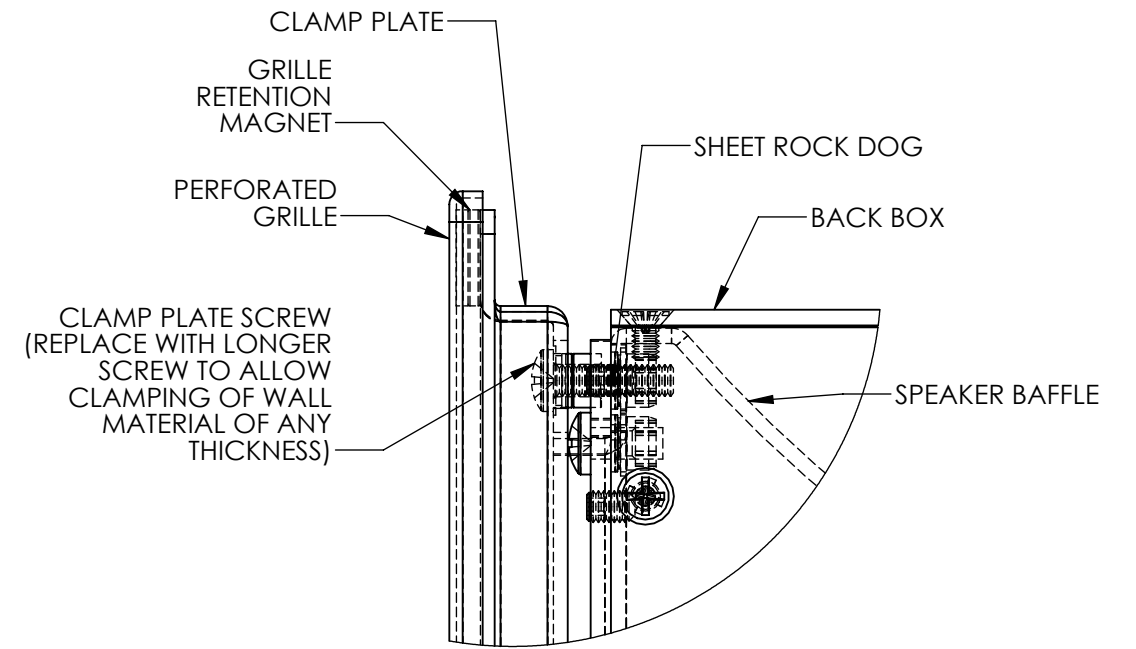
SIDE VIEW WITH BACK BOX AND GRILLE



END VIEW WITH BACK BOX



**DETAIL B
SCALE 1 : 1**

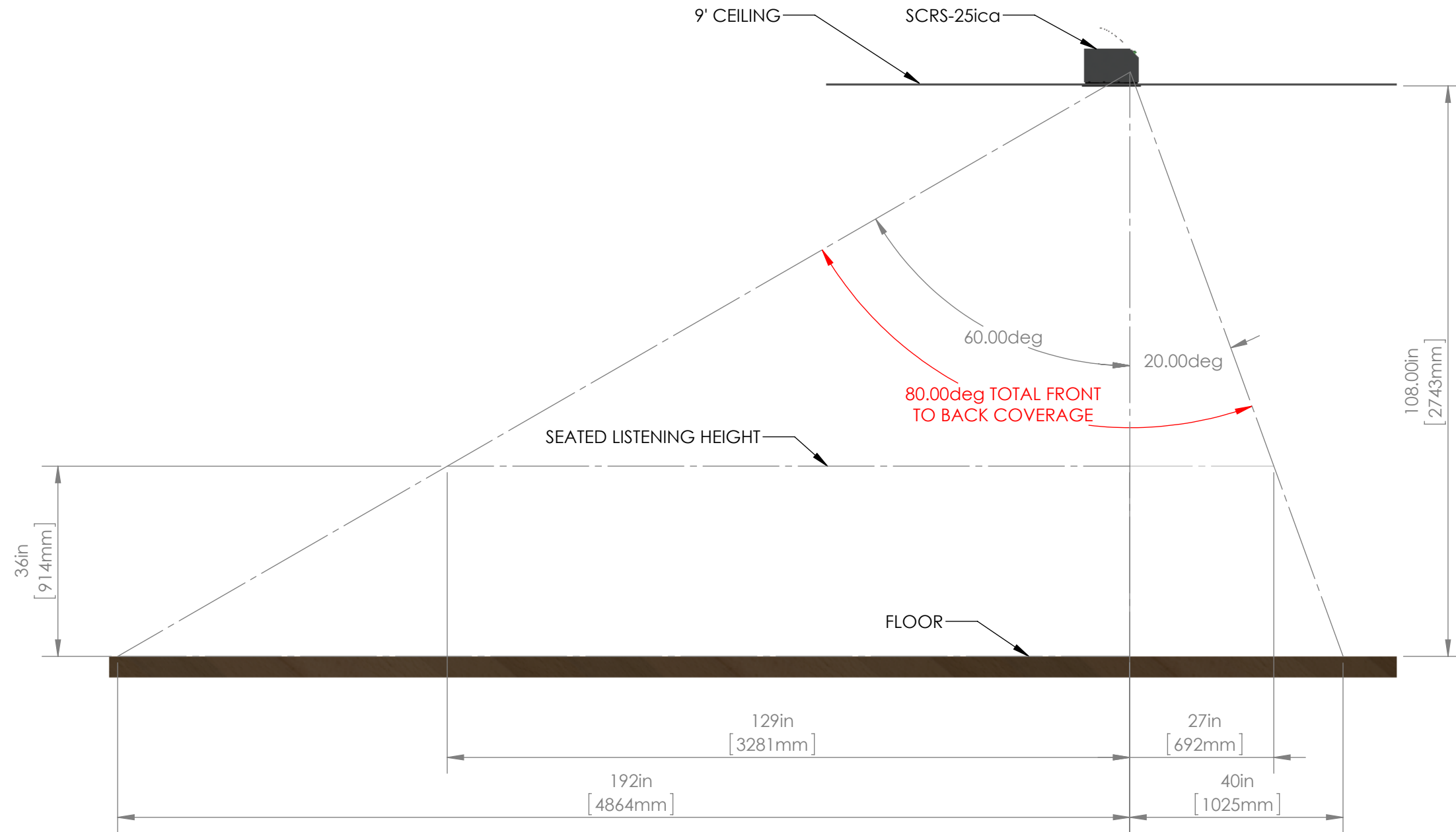


**DETAIL D
SCALE 1 : 1**

CEILING CUTOUT : 10.5" x 10.5"

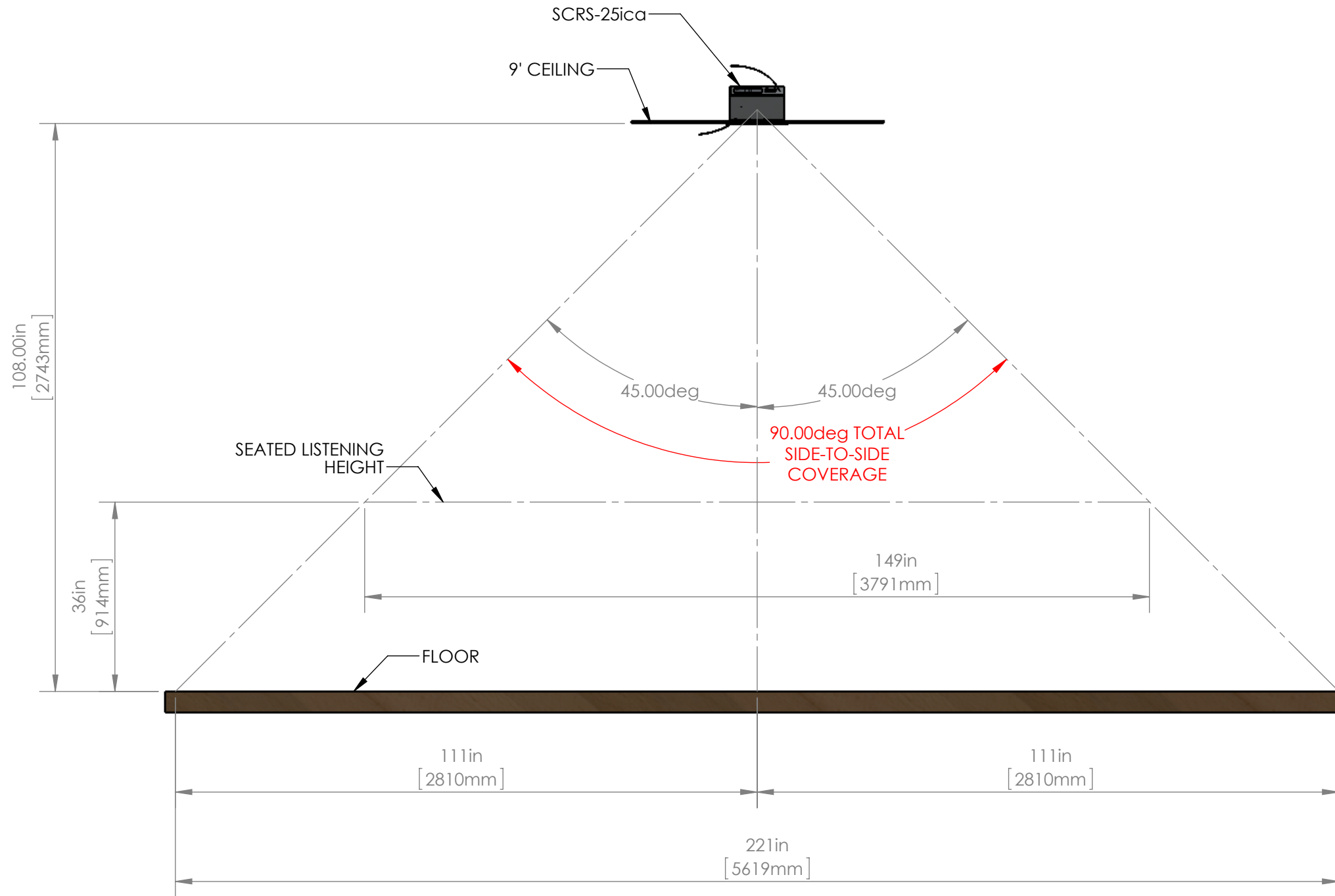
TITLE:	SCRS-25ica	SIZE	PART NO.	REV
		B		A
PROFESSIONAL HOME CINEMA, LLC	SCALE: 1:4	WEIGHT:	SHEET 2 OF 4	

FRONT-TO-BACK COVERAGE



TITLE:	SCRS-25ica	SIZE	PART NO.	REV
		B		A
PROFESSIONAL HOME CINEMA, LLC	SCALE: 1:24	WEIGHT:	SHEET 3 OF 4	

SIDE-TO-SIDE COVERAGE



TITLE:	SCRS-25ica	SIZE	PART NO.	REV
		B		A
PROFESSIONAL HOME CINEMA, LLC	SCALE: 1:24	WEIGHT:	SHEET 4 OF 4	