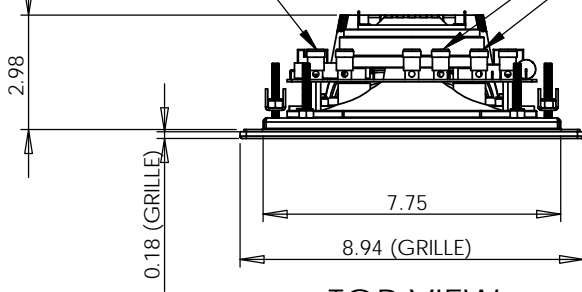


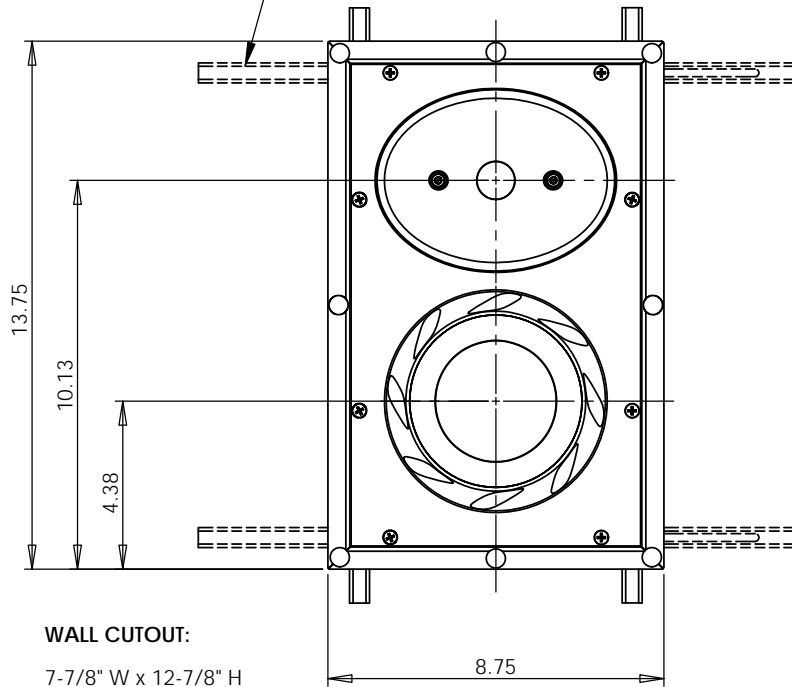
SINGLE-AMP OPERATION INPUTS

BI-AMP OPERATION INPUTS:TWEETER
BI-AMP OPERATION INPUTS:WOOFER



TOP VIEW

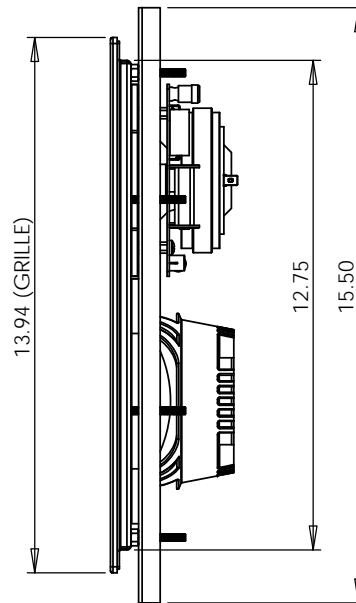
SLIDING CLAMPI BARS MAY BE INSTALLED HORIZONTALLY WHEN SPEAKER IS USED PERPENDICULAR TO 16" O.C. STUDS OR JOISTS, OR FOR IN-CEILING INSTALLTIONS FOR ADDED SECURITY



WALL CUTOUT:
7-7/8" W x 12-7/8" H

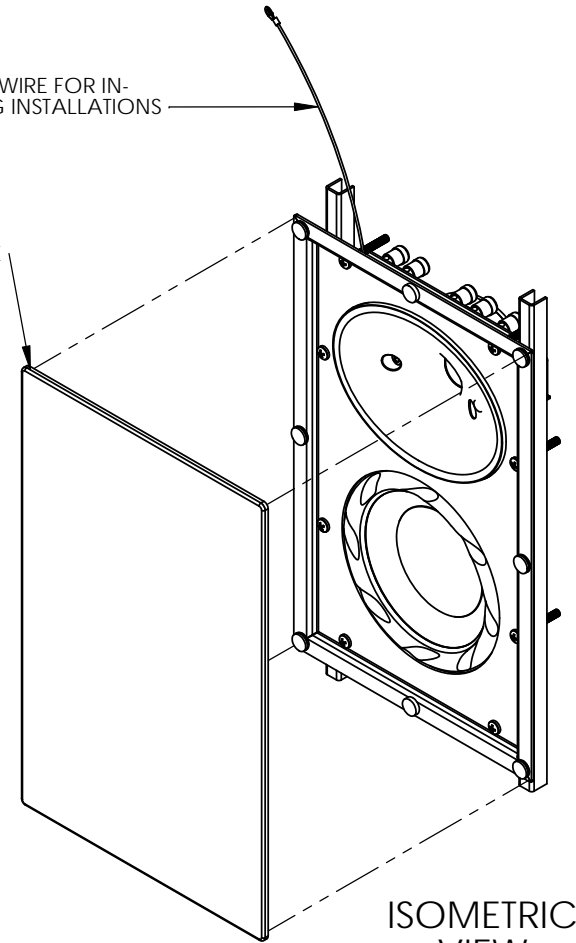
FRONT VIEW
(NO GRILLE)

PAINTABLE PERORATED STEEL GRILL ONLY 0.18" THICK MAGNETICALLY HELD IN PLACE OVER INSERT FRAME



RIGHT SIDE VIEW

SAFETY WIRE FOR IN-CEILING INSTALLATIONS



ISOMETRIC VIEW

REVISIONS			
RELEASE	REV.	DESCRIPTION	DATE
B	1	SECOND RELEASE	12/17/2008

PROPRIETARY AND CONFIDENTIAL

THE INFORMATION CONTAINED IN THIS DRAWING IS THE SOLE PROPERTY OF PROFESSIONAL HOME CINEMA, LLC. ANY REPRODUCTION IN PART OR AS A WHOLE WITHOUT THE WRITTEN PERMISSION OF PROFESSIONAL HOME CINEMA, LLC IS PROHIBITED. THE HOLDER OF THIS DOCUMENT SHALL KEEP ALL INFORMATION CONTAINED HEREIN CONFIDENTIAL AND SHALL PROTECT THE SAME IN WHOLE OR IN PART FROM DISCLOSURE AND DISSEMINATION TO ALL THIRD PARTIES.

		DIMENSIONS ARE IN INCHES		NAME	DATE
		TOLERANCES:		DRAWN	12-16-08
		FRACTIONAL ±		CHECKED	
		ANGULAR: MACH ± BEND ±		ENG APPR.	
		TWO PLACE DECIMAL ±		MFG APPR.	
		THREE PLACE DECIMAL ±		Q.A.	
		MATERIAL --		COMMENTS:	
NEXT ASSY	USED ON	FINISH --			
APPLICATION		DO NOT SCALE DRAWING			

PROFESSIONAL HOME CINEMA, LLC

**SCRS-6iw
DIMENSIONS**

SIZE A	DWG. NO.	REV. B1
SCALE:1:15	WEIGHT:	SHEET 3 OF 8